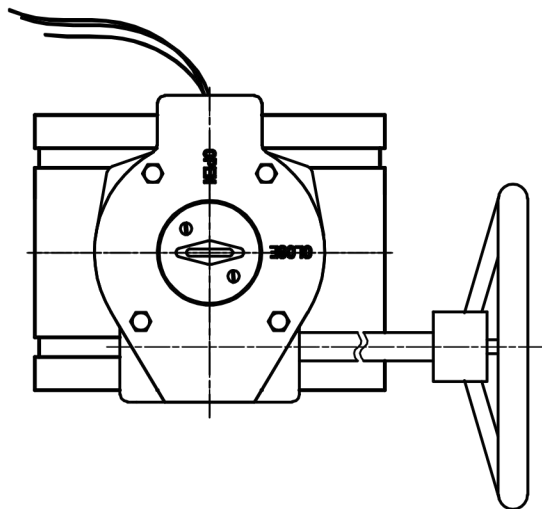


SIZE	A	B	C	D	E	F	G	H	K	J	P	M	N	d	L	
2"	110	85	32	60.3	57.15	15.9	7.9	111	153	218	152	90	70	9	10	88
2.5"	125	95	32	73	69.1	15.9	7.9	111	153	218	152	90	70	9	10	96.4
				76.1	72.3											
3"	140	100	32	88.9	84.9	15.9	7.9	111	153	218	152	90	70	9	11	97
4"	160	100	32	114.3	110.1	15.9	9.5	111	153	218	152	90	70	9	14	115.1
5"	170	125	32	139.7	135.5	15.9	9.5	111	153	218	152	90	70	9	14	132.4
				141.3	137											
6"	190	140	32	165.1	160.9	15.9	9.5	111	153	218	200	90	70	9	16	132.4
				168.3	164											
8"	230	175	32	219.1	214.4	19	11.1	126	210	232	300	125	102	12	19	147.4
				216.3	211.6											
10"	260	200	45	267.4	262.6	19	12.7	126	210	232	300	125	102	12	24	159
				273	268.3											
12"	300	240	45	318.5	312.9	19	12.7	161	249	350	150	125	14	26	165	
				323.8	318.3											



SIGNAL SWITCH SPECIFICATION :

1. MANUFACTURER: YUEQING RENEW ELECTRONIC CO., LTD
2. BRAND: RENEW
3. RATING: IBC IP40
4. TYPE: RV-162-1C25

10	Gear Box			XHQD-00-00 or XHQD-00-00A
9	O-ring	EPDM		
8	Stem Bushing	PTFE/C954		GD-381X-07-06
7	Lower Shaft Sealing Nut	WCB	ASTM A216	GD-381X-05-02
6	Lower Shaft	SS416	ASTM A582	GD-381X-03
5	Disc	DI+EPDM		GD-381X-02
4	Upper Shaft	SS416	ASTM A582	GD-381X-03
3	Body	DI	ASTM A536	GD-381X-01
2	Shaft Seal	EPDM	ASTM D2000	GD-381X-04
1	Upper Shaft Sealing Nut	WCB	ASTM A216	GD-381X-05-01
NO	Name	Material	Remark	Drawing Code

Carried Standard						Assembly Drawing	GD-381X-00-300-Z		
Design Standard	API609	MAR	INDEX	FILE NO.	SIGN		DATE	Version No.	WEIGHT
Groove tender	ANSI/AWWA C606	DESIGNED					01		
Top Flange Standard	ISO 5211	CHECKED							
Test Standard	API 598	CRAFT							
		APPROVED							

**300PSI
Grooved Butterfly Valves**

