

FIXED FIRE HOSE REEL



MODEL HRB-012

36METRE X 20MM RED FIXED HOSE

FEATURES/SPECIFICATION

- One Year Warranty from date of delivery (warranty covers cost of hose reel only)
- Approximately 20kg
- Easy to operate and maintain
- Meets Australian Standard requirements AS1221.
- Side plates 1mm cold rolled steel
- RAL3000 Polyester Epoxy power coating
- Unwind test through hose guide force $\leq 100n$
- FIS Fixed Fire Hose Reel comes with all parts required, including 25mm Ball Valve (including nozzle locking device), Hose Guide and Wall Bracket.



FIXED FIRE HOSE REEL

SIZE	H (mm)	W (mm)	D (mm)	INLET	OUTLET
20MM X 36MM	730	250	550	1" BSP	SPRAY / JET / OFF

ITEM	DESCRIPTION
MODEL NUMBER	HRB 012
STD HOSE LENGTH & DIAMETER	36 Metres x 20mm Diameter
APPROVALS	AS/NZ 1221
MINIMUM INLET PRESSURE	220KPa
MAXIMUM WORKING PRESSURE	1200 KPA - test pressure 1800 KPA
FRONT AND BACK PLATES	Steel Signal Red
SUPPORT ASSEMBLY	Mild Steel Zinc Plated
GUIDE ARM	Swivel Zinc Plated

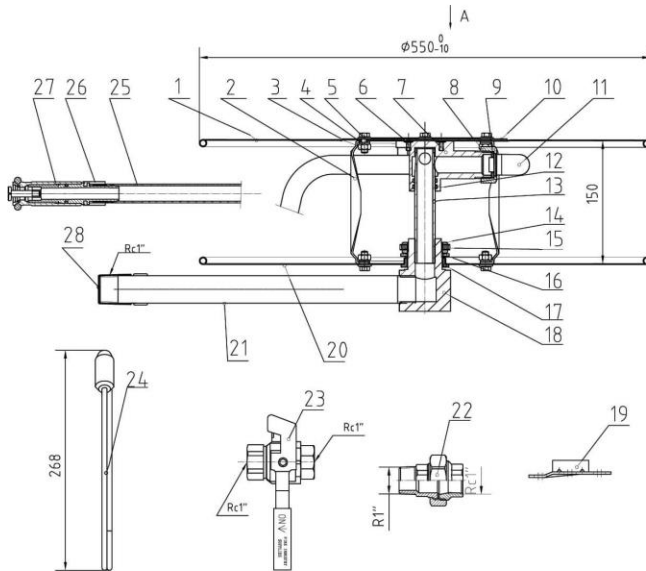
ITEM	DESCRIPTION
BALL VALVE ASSEMBLY	Zinc Coated Brass
NOZZLE	Twist Action Brass
PIPE	Galvanised
VALVE	Galvanised
GASKET	Rubber
ELBOW	Galvanised
MOUNTING PLATE	Steel Signal Red
INLET PIPE / UNION	Galvanised

FIXED FIRE HOSE REEL



MODEL HRB-012

36METRE X 20MM RED FIXED HOSE



TECHNICAL REQUIREMENTS

1. The product according to Australian Standard AS/NZS 1221:1997
2. Assembly for pressure testing, work pressure 12 bar, the test pressure 18bar
3. Disc surface coating UV polyester plastic (RAL 3000)
4. Circle by the side plate is subject to distortion ability to test both sides of the disc can not produce a permanent deformation of 5mm
5. Nozzle can be no more than 2Nm torque to open
6. With a description

PART	QTY	MATERIAL
1 DRUM	1	STEEL
2 SUPPORT	6	STEEL
3 NUT	12	STEEL
4 GASKET	12	STEEL
5 SCREW	12	STEEL
6 RIVET	4	
7 ADAPTER	1	AL
8 GLAND NUT	1	AL
9 SEAL	1	NBR
10 LABEL	1	AL
11 ELBOW	1	AL
12 O RING	2	NBR
13 GLAND NUT	1	STEEL
14 GLAND NUT	1	STEEL
15 SCREW	2	STEEL
16 GASKET	1	NYLON
17 COVER	1	ABS
18 VALVE	1	AL
19 FIXER	1	STEEL
20 DRUM	1	STEEL
21 PIPE ASSEMBLY	1	
22 COUPLING ASSEMBLY	1	
23 BALL VALVE ASSEMBLY	1	
24 GUIDE	1	
25 HOSE	1	PVC
26 HOOP	2	STEEL
27 NOZZLE	1	
28 SCREW SHEATH	1	PE
29 LABEL	1	STICKER

FIS Fixed Fire Hose Reel come with all parts required, including 25mm Ball Valve (including nozzle locking device), Hose Guide and Wall Bracket

