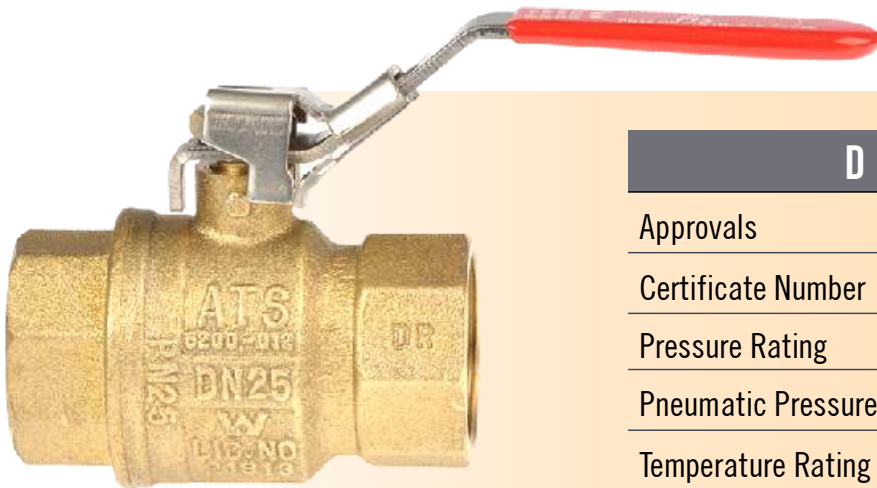


# FIS LOCKABLE BALL VALVE

**BVL-001**  
**BALL VALVE**

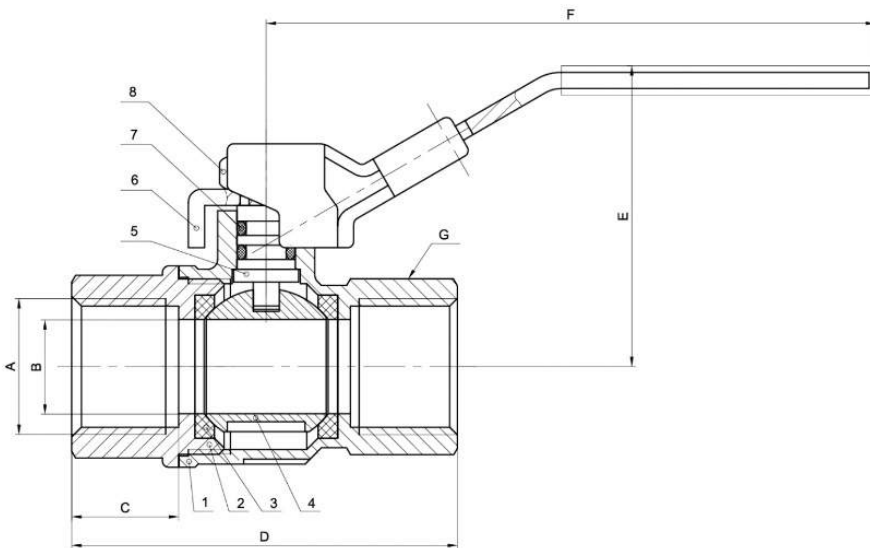


**Gas Safety Certification Scheme**  
AC 4617-2004 - Manual shut-off gas valves  
Certificate No:GSCS20133



## DETAILS

Approvals	Watermark
Certificate Number	WMKA21813
Pressure Rating	2500KPa
Pneumatic Pressure test	700Kpa
Temperature Rating	-10°C ~ 85°C



MATERIAL LIST	
NO.	PART
01	BODY
02	BONNET
03	SEAL
04	BALL
05	STEM
06	HANDLE
07	O-RING
08	NUT

A	B	C	D	E	F	G
1/2"	15	16.5	59.5	46	94	25
3/4"	20	18	66.5	50.5	107.5	31
1"	25	18.5	75	55	107.5	37
1 1/4"	32	23	93	74	136	47
1 1/2"	40	23	100.5	92	181	54
2"	50	28	122.5	102	181	67