

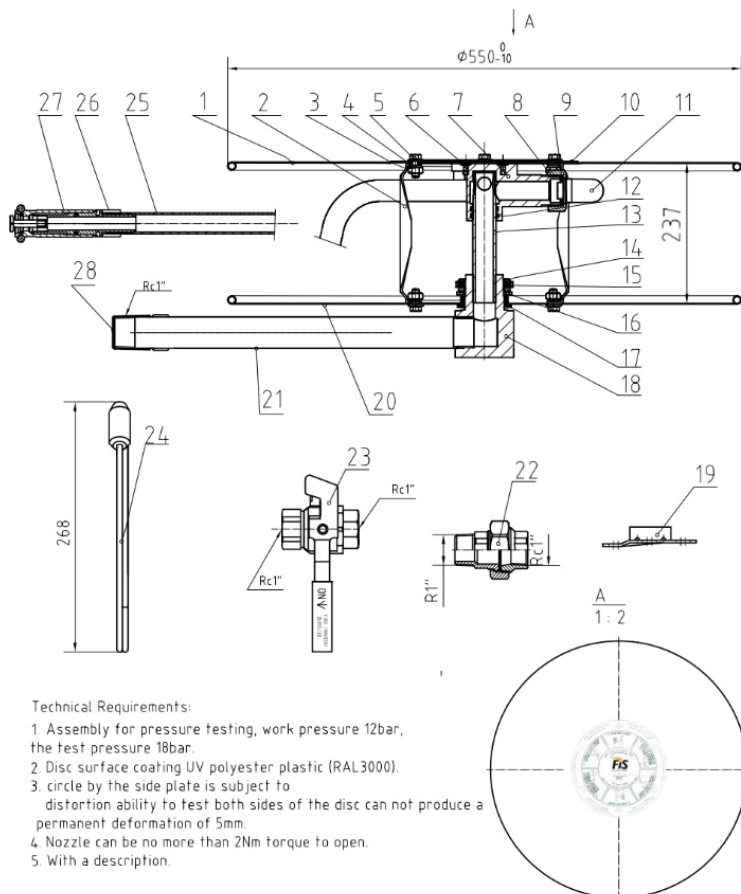
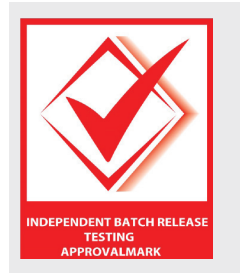
FIXED FIRE HOSE REEL (50M)

HRB-050

50METRE X 20MM BLACK HOSE, FIXED REEL

FEATURES / SPECIFICATIONS

- One Year Warranty from date of delivery (warranty covers cost of hose reel only)
- Approximately 28kg
- Easy to operate and maintain
- Side plates 1mm cold rolled steel
- RAL3000 Polyester Epoxy power coating
- Unwind test through hose guide force $\leq 100n$
- FIS Fixed Fire Hose Reel comes with all parts required, including 25mm Ball Valve (including nozzle locking device), Hose Guide and Wall Bracket.



Technical Requirements:

1. Assembly for pressure testing, work pressure 12bar, the test pressure 18bar.
2. Disc surface coating UV polyester plastic (RAL3000).
3. circle by the side plate is subject to distortion ability to test both sides of the disc can not produce a permanent deformation of 5mm.
4. Nozzle can be no more than 2Nm torque to open.
5. With a description.

PART	QTY	MATERIAL
1 DRUM	1	STEEL
2 SUPPORT	6	STEEL
3 NUT	12	STEEL
4 GASKET	12	STEEL
5 SCREW	12	STEEL
6 RIVET	4	
7 ADAPTER	1	AL
8 GLAND NUT	1	AL
9 SEAL	1	NBR
10 LABEL	1	AL
11 ELBOW	1	AL
12 O RING	2	NBR
13 PIPE	1	STEEL
14 GLAND NUT	1	STEEL
15 SCREW	2	STEEL
16 GASKET	1	NYLON
17 COVER	1	ABS
18 VALVE	1	AL
19 FIXER	1	STEEL
20 DRUM	1	STEEL
21 PIPE ASSEMBLY	1	
22 COUPLING ASSEMBLY	1	
23 BALL VALVE ASSEMBLY	1	
24 GUIDE	1	
25 HOSE 3/4" x 50cm	1	PVC
26 HOOP	2	STEEL
27 NOZZLE	1	
28 SCREW SHEATH	1	PE