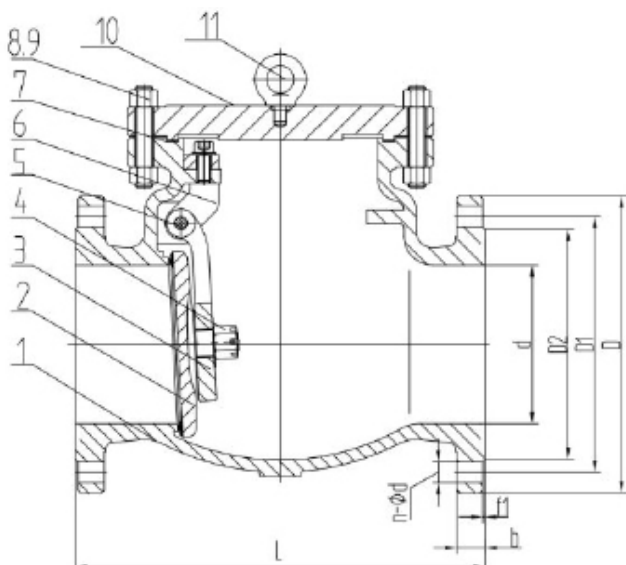


ACV-100 → ACV-150

API ANSI SWING CHECK VALVE



STANDARDS

DESIGN AND MANUFACTURE	BS1868, ANSIB16.34
FACE TO FACE	ANSIB16.10
FLANGE END	ANSIB16.5
INSPECTION	API598
PRESSURE TEMP RATING	ANSIB16.34

MATERIAL LIST

PART	MATERIAL
1 BODY	A216 WCB*13Cr
2 DISC	A216 WCB*13Cr
3 ARM	A216 WCB
4 NUT	A194 WCB
5 PIN	1035
6 YOKE	A216WCB
7 GASKET	METAL SPIRAL
8 NUT	A194 2H
9 BOLT	A193 B7
10 BONNET	A216 WCB
11 LIFTING LUG	1035

TEST PRESSURES

TEST ITEM	SHELL TEST	SEAL TEST	BACK SEAL TEST	AIR SEAL TEST
MEDIUM(MPa)		WATER(MPa)		AIR(MPa)
PRESSURE (CLASS) 300	7.8	5.6	5.6	0.5-0.7

DIMENSION - WEIGHTS - QUANTITIES

CODE	SIZE	d	L	D	D1	D2	b	f1	n-ød
ACV-100	100mm	102	356	255	200	157.2	32.2	2	8-ø22.5
ACV-150	150mm	152	444	320	269.9	215.9	37	2	12-ø22.5