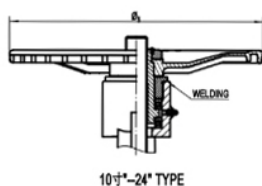
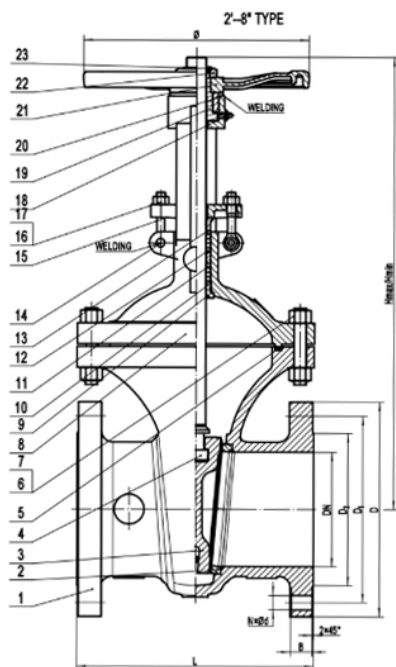


450PSI API ANSI GATE VALVE

AGV-100 → AGV-150

API ANSI GATE VALVE



MATERIAL LIST

PART	MATERIAL	
1	BODY	A216 A216 WCB
2	SEAT	A216 A105
3	DISC	A216 A216 WCB
4	STEM	ASTM A276 T410
5	BONNET GASKET	ASTM A276 304 + GRAPHITE
6	NUT	ASTM A194 2H
7	STUD	ASTM A193 B7
8	BONNET	ASTM A216 WCB
9	BACKSEAT	ASTM A276 410
10	PACKING	RBTN2-600
11	RING	ASTM A276 410
12	PACKING RING	ASTM A276 304 + GRAPHITE
13	PACKING BUSH	ASTM A276 410
14	PIN	35 STEEL
15	PACKING PLATE	A216 A216 WCB
16	BOLT	ASTM A193 B7
17	NUT	ASTM A194 2H
18	OIL CUP	H62
19	STEM NUT	ASTM B146 C95200
20	BEARING GLAND	ASTM A29M 1020
21	HANDWHEEL	ASTM A536 65-45-12
22	LOCK NUT	ASTM A29M 1020
23	NALL	45 STEEL

STANDARDS

DESIGN AND MANUFACTURE	AP1600, ANSIB16.34
FACE TO FACE	ANSIB16.10
FLANGE END	ANSIB16.5
INSPECTION	API598
PRESSURE TEMP RATING	ANSIB16.34

TEST PRESSURES

TEST ITEM	SHELL TEST	SEAL TEST	BACK SEAL TEST	AIR SEAL TEST
MEDIUM(MPA)		WATER(MPA)		AIR(MPA)
PRESSURE (CLASS) 300	7.8	5.6	5.6	0.5-0.7

DIMENSION - WEIGHTS - QUANTITIES

SIZE	L	DN	D2	D1	D	n-ød	B	Hmax/Hmin	ø
100MM	305±1.5	ø102	ø157.2	ø200	ø255	8-ø22.5	30.2	619/502	ø280
150MM	403±1.5	ø153	ø215.9	ø269.9	ø320	12-ø22.5	35	826/660	ø360