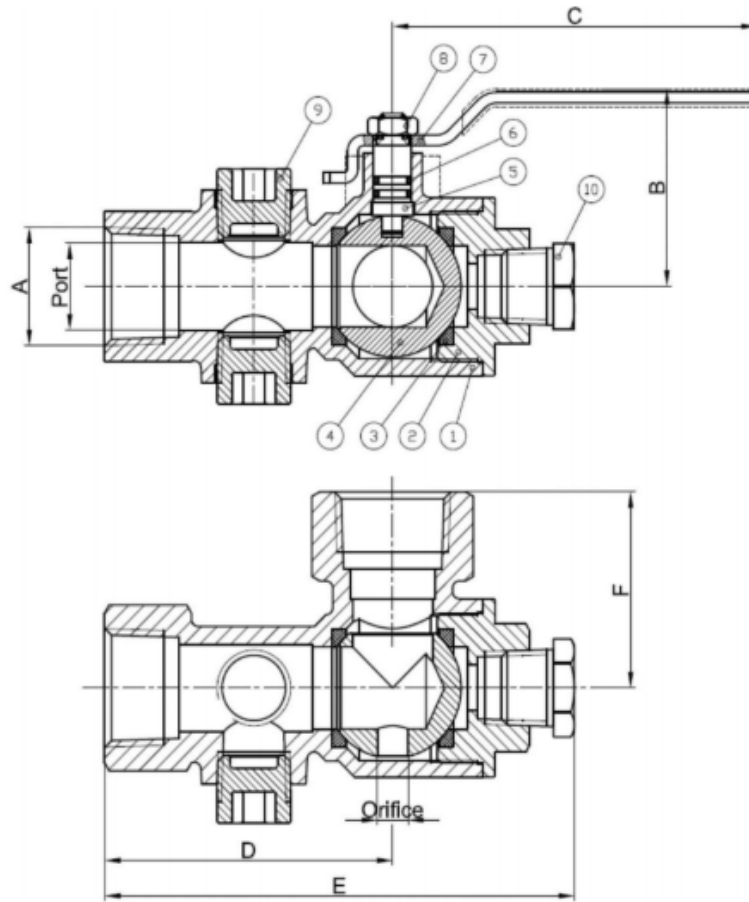


TEST & DRAIN VALVE



A	TEST ORIFICE	PORT	B	C	D	E	F
NPT 1"	15mm	0.906"	2.2"	4.13"	3.27"	5.3"	2.165"
NPT 1-1/4"	15mm	1.181"	2.66"	4.84"	3.54"	5.8"	2.362"
NPT 2"	15mm	1.85"	3.33"	6.02"	3.78"	6.5"	2.835"

NO.	PART	MATERIAL ASTM
1	Body	C37700
2	Body Cap	C37700
3	Seat	PTFE
4	Ball	C37700
5	Stem	C37700

NO.	PART	MATERIAL ASTM
6	O-Ring	NBR
7	Lever	Carbon Steel
8	Nut	Carbon Steel
9	Sight Glass	Lexan
10	Cap Plug	C37700