



## *Fire Sprinkler Monitoring Product Catalog*





# Contents

Flow Switches .....4

Pressure Switches .....8

Tamper and Supervisory Switches .....10

Corrosion Testing.....14

Dry System Corrosion Solutions.....15

Wet System Corrosion Solutions.....16

Corrosion Monitoring .....17

Explosion Proof Devices .....18

Releasing Panels .....20

Notification Appliances.....22

Digital Communicators.....25

Conventional Detectors.....26

Pull Stations.....27

Product List .....28

Residential Waterflow Switch Applications Drawing .....32

Dry Pipe Sprinkler System Drawing .....33

Wet Pipe Sprinkler System Drawing .....34

Deluge System Drawing.....35

## **Potter Electric Signal Company, LLC**

Established in 1898, Potter Electric Signal Company has earned a reputation worldwide as an elite provider of goods and services. Potter produces a wide array of products including fire sprinkler monitoring systems, electronic fire systems, and vault and safe security systems. With more than 110 years of sprinkler monitoring experience, Potter is also the trusted source for corrosion testing, monitoring, and treatment with our comprehensive suite of corrosion solutions.

At Potter, not only do we supply our customers with products that provide real world solutions for their unique needs, we strive to provide them unequaled service and technical support.

At Potter you will always receive prompt dependable service from our dedicated team of professionals.

Every employee at Potter is committed to providing you, the customer, the peace of mind in knowing that when you purchase our products, you are providing your customers the very best product available for the protection of life and property.

Potter is THE Symbol of Protection.



Potter Electric Signal Company, LLC  
1609 Park 370 Place  
St. Louis, MO 63042

866.572.3005 Fax: 800.768.8377  
Tech Support: 866.956.0988  
[www.pottersignal.com](http://www.pottersignal.com)

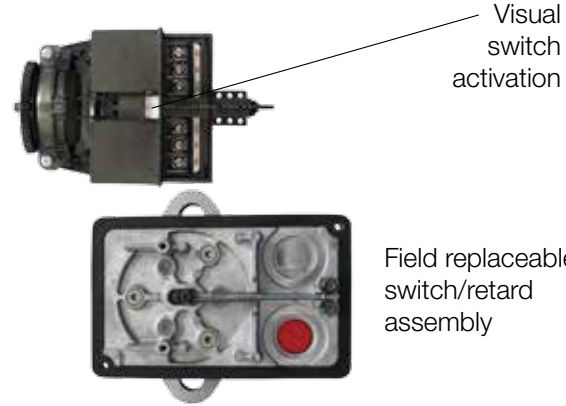
Canada: 888.882.1833 Fax: 416.741.1822  
Asia/Pacific: 65.9682.8998 Fax: 65.6481.2902



# Flow Switches

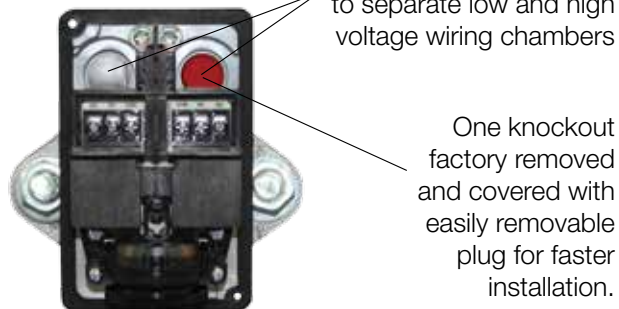


# Flow Switches



Visual switch activation

Field replaceable switch/retard assembly



Two knockouts for access to separate low and high voltage wiring chambers

One knockout factory removed and covered with easily removable plug for faster installation.

Updated easy to read retard dial for better accuracy



Non-Corrosive Saddle Bushing eliminates water to metal contact stopping the possibility of corrosion



## VSR Waterflow Alarm Switch

- NEMA 4 solid metal enclosure
- Factory installed neoprene gasket
- 0-90 second field replaceable pneumatic retard
- 450 psi system pressure rated
- Schedule 5-40 pipe
- Synchronized switch action
- 5-year warranty
- Listings: UL, cUL, FM, LPCB, CSFM, NYMEA, and CE

VSR-EU has a 30 second retard and is VdS, EN 12259-5 and LPCB approved



## VSR-S Waterflow Alarm Switch Small Pipe

- NEMA 4 solid metal enclosure
- Factory installed neoprene gasket
- 0-90 second field replaceable pneumatic retard
- 300 psi system pressure rated
- Two 1/2" KOs for dual voltage applications
- 1" threaded brass bushing fits pipe sizes 1"-2"
- Ideal for both commercial and residential applications.
- 5-year warranty
- Listings: UL, cUL, CSFM, and NYMEA

VSR-S EU is EN 12259-5 and LPCB approved



## VSR-AT Waterflow Alarm Switch with Auto Test Feature

- Performs functional test without discharging water
- Conserves water
- Eliminates environmental concerns from sprinkler system discharge
- Reduces corrosion
- Test is initiated by ATC Key switch or any addressable fire panel
- Operates on 24 vdc power from fire panel
- Listings: UL, cUL, FM

### Auto Test Control Plate

- Initiates Auto Test feature in VSR-AT
- Momentary push button test switch
- Key switch to enable/disable the push button
- LED indicator







# Flow Switches



# Flow Switches



## VSR-SG/ST Waterflow Alarm Switch With Union

- NEMA 4 solid metal enclosure
- Factory installed neoprene gasket
- 0-90 second field replaceable pneumatic retard
- 175 psi system pressure rated
- 1" male CPVC fitting or 1" NPT bushing
- Fits CPVC pipe sizes 1", 1 1/4", 1 1/2", and 2"
- Special fitting allows for installation in confined spaces
- 5-year warranty
- Listings: UL, cUL, CSFM, NYMEA, and CE



## VSR-C Waterflow Alarm Switch For Copper Pipe

- NEMA 4 solid metal enclosure
- Factory installed neoprene gasket
- 0-90 second pneumatic retard
- 175 psi system pressure rated
- Non-corrosive saddle bushing
- Two 1/2" KOs for dual voltage applications
- Pipe Sizes: 2", 2 1/2", 3", 4" for type K, L, and M copper pipe
- 5-year warranty
- Listings: UL, CSFM, and NYBSA



## VSR-FE-2 Waterflow Alarm Switch With Electronic Retard

- NEMA 4 solid metal enclosure
- Factory installed neoprene gasket
- 0-90 second electronic retard
- 450 psi system pressure rated
- Non-corrosive saddle bushing
- Two 1/2" KOs for dual voltage applications
- Pipe schedules 10-40 Sizes 2"-8"
- 5-year warranty
- Listings: UL, ULC and FM



## VS-SP Special Application Waterflow Switch Without Retard

- NEMA 4 solid metal enclosure
- Factory installed neoprene gasket
- 250 psi system pressure rated
- One SPDT (Form C) contact second set of contacts optional
- 1" solid brass threaded bushing
- Twelve paddles provided for use on plastic, copper, and schedule 40
- 5-year warranty
- Listings: UL, cUL, CSFM, NYBSA, and CE



## VSG Waterflow Alarm Switch For Low Flow

- NEMA 4 solid metal enclosure
- Factory installed neoprene gasket
- 0-90 second electronic retard
- 450 psi system pressure rated
- Non-corrosive saddle bushing
- Two 1/2" KOs for dual voltage applications
- Pipe Sizes 2", 2 1/2", 3", 4"
- Operates at 4 GPM, specially designed for water mist systems
- 5-year warranty
- Listings: UL and CSFM



## WFSR-F Pressure Activated Waterflow Alarm Switch With Retard

- NEMA 4 solid metal enclosure
- For wet systems utilizing alarm check valves
- Factory installed neoprene gasket
- 0-90 second pneumatic retard
- 175 psi system pressure rated
- 1/2" male NPT fitting
- Eliminates the need for retard chambers
- Two 1/2" KOs for dual voltage applications
- 5-year warranty
- Listings: UL, cUL, CSFM, FM, NYMEA, and CE



## RD13 Series Residential Riser

- Service pressure up to 175 psi
- Unit includes VSR-SG
- Drain and test valve
- Pressure gauge
- Service usage, NFPA 13D & 13R
- Sizes: 1", 1 1/4", 1 1/2", 2"
- 5-year warranty on VSR-SG
- Available with or without VSR-SG Flowswitch. Model without flowswitch includes a removable cap for installing the flowswitch at a later date.



# Pressure Switches



# Pressure Switches



## PS Series

### Pressure Type Waterflow Alarm/Supervisory Switch

- NEMA 4 solid metal enclosure
- Factory installed neoprene gasket
- Pressure range: 4-15 psi (PS10), 5-30 psi (PS15), 10-60 psi (PS24 & PS40), 25-175 psi (PS120)
- 300 psi system pressure rated
- 1/2" male NPT fitting
- Two 1/2" knockouts for dual voltage applications
- Separate isolated wiring chambers eliminate NEC questions regarding multi-voltage applications
- Factory set for operation at:
  - PS10 Pressure Increase at 6 psi
  - PS15-2 Pressure decrease at 10 psi, Pressure increase at 20 psi
  - PS25-2 Pressure decrease at 18 psi, Pressure increase at 28 psi
  - PS40-1 Pressure Decrease at 30 psi
  - PS40-2 Pressure Increase at 50 psi, Pressure Decrease at 30 psi
  - PS120-1 Pressure Decrease at 110 psi
  - PS120-2 Pressure Increase at 130 psi, Pressure Decrease at 110 psi
- 5-year warranty
- Listings: UL, cUL, CSFM, FM, LPC, NYMEA, and CE

'VdS' is listed with UL, FM, VdS, CUL, LPCB, and CSFM



Two 1/2" knockouts for dual high/low voltage functions or in/out wiring

Complies with NEC 760.55



Single captive tamper-proof screw for quick access and easy installation

Compact design for easy installation in tight spaces and rain-lip for protection against the elements



Separate wiring chambers creating the only NEC 760.55 code compliant pressure switch in the industry



## PS-TM Series

### Completely Pre-Assembled Low Pressure Test Module

- For use on dry pipe and pre-action systems
- Available with PS40-2 or PS15-2 for low pressure systems
- Includes pressure switch, BVL bleeder valve, and easy to read, high quality, pressure gauge pre-assembled with galvanized pipe
- Meets the requirement of NFPA 72, 2016, 17.16.2 and NFPA 25, 2014, 13.4.4.2.6
- Eliminates accidental tripping of the dry pipe valve during testing
- Saves time and money on inspections and testing
- Recommended for Nitrogen Systems to conserve Nitrogen and reduce wear on generators



## PS15

### Pressure Supervisory Switch for Low Pressure Systems

- NEMA 4 solid metal enclosure
- Factory installed neoprene gasket
- 300 psi system pressure rated
- Pressure range 5-30 psi
- 1/2" male NPT fitting
- Two 1/2" knockouts for dual voltage applications
- Separate isolated wiring chambers eliminate NEC questions regarding multi-voltage applications
- Factory set for operation at 20 psi on pressure increase and 10 psi on pressure decrease
- 5-year warranty
- Listings: UL, ULC, CSFM, FM, LPC, NYMEA, and CE
- Typically used on low pressure systems

## BVL

### Lever Type Bleeder Valve

- For use as a test valve for supervisory pressure switches on dry pipe and preaction sprinkler systems
- Should be installed in-line with pressure switch and gauge
- Convenient means for removal or testing the pressure actuated device without affecting the pressure in the system
- 1/2" NPT connections
- Recommended for Nitrogen Systems to conserve Nitrogen and reduce wear on generators



## PCS/ADPS

### Pump Control Switch/Adjustable Deadband Pressure Switch

- Independent set and reset points
- Adjustable operating range 25-300 PSIG
- 12 PSI minimum deadband
- NEMA 4X enclosure for indoor or outdoor use
- Horsepower rating:
  - PCS: 1/2HP
  - ADPS: 1/8 HP
- Listings: UL, CE, and CSA







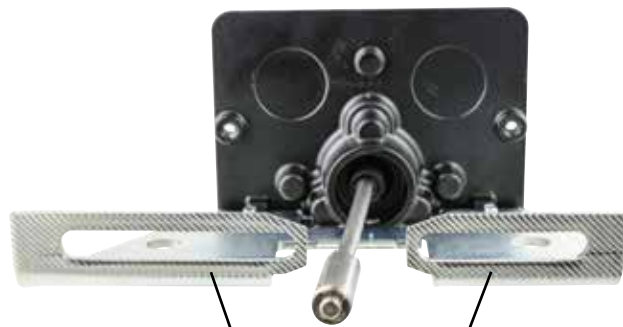
# Tamper Switches



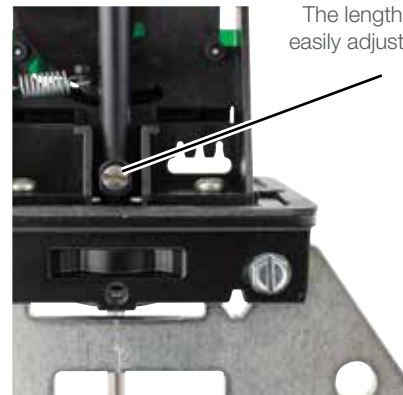
## OSYSU-1 & 2

### Outside Screw & Yoke Valve Supervisory Switch

- NEMA 6P (Submersible)
- Factory installed neoprene gasket
- OSYSU-1: One set of SPDT (Form C)
- OSYSU-2: Two sets of SPDT (Form C)
- Fits 1/2"-12" valves
- Fully adjustable stainless steel trip rod cuts installation time by 75%
- Mounting nuts with captive washers reduces installation time
- Installs on OS&Y valves in any position
- 5-year warranty
- Listings: UL, cUL CSFM, FM, NYMEA, and CE

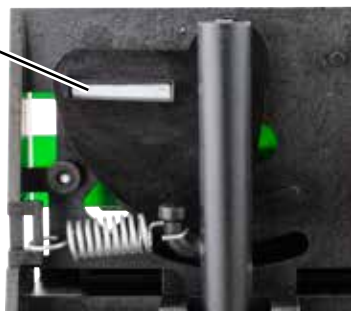


The serrated surface of the mounting bracket helps prevent the device from slipping while tightening the carriage bolts.



The length of the trip lever can be easily adjusted by simply loosening the trip lever screw

The white indicator visible through a window aids in initially locating the switch on the valve yoke.



Final adjustment can be made by loosening the mounting screws and using the fine adjustment feature.



# Tamper Switches



## PCVS-2

### Control Valve Supervisory Switch

- NEMA 6P (Submersible)
- Factory installed neoprene gasket
- PCVS-2: Two sets of SPDT (Form C)
- 1/2" male NPT fitting
- Fully adjustable stainless steel trip rod
- Installs on wall and post indicator valves, butterfly valves in any position
- 5-year warranty
- Listings: UL, cUL, CSFM, FM, NYMEA, and CE



## OSYSU-2 CRH

### Outside Screw & Yoke Valve Supervisory Switch with Corrosion Resistant Hardware

- The OSYSU-CRH provides additional corrosion protection on top of the NEMA 4X enclosure with corrosion resistant mounting hardware.



## PCVS-2 CRH

### Control Valve Supervisory Switch with Corrosion Resistant Hardware

- The PCVS-CRH provides additional corrosion protection on top of the NEMA 4X enclosure with corrosion resistant mounting hardware.



# Tamper Switches



## **PTS-C** Plug Type Supervisory Switch

- NEMA 6P submersible
- Factory installed neoprene gasket
- SPDT contacts 100mA at 28 VDC/AC, 250mA at 12 VDC/AC
- SPDT cover tamper 250mA at 28 VDC/AC
- Dimensions 7"L x 3.75"W x 3"D (including bracket)
- Temperature rating -40°F to 140°F
- 5-year warranty
- Listings: UL, cUL, FM, NYMEA, and CSFM
- For non-rising stem valves and other special applications



## **WLS** Tank Water Level

- NEMA 4 solid metal enclosure
- Detection range before 3" rise/ before 3" fall of water level
- Detection of 12" drop in water level
- Maximum pressure 175 psi
- Used on steel or wooden tanks
- Works on pressure or gravity tanks
- Listings: UL, NYMEA, and CSFM



## **RTS-O/C** Room Temperature Switch

- Designed to warn of potential sprinkler pipe freezing or other cold detection applications
- White ABS enclosure
- Epoxy sealed stainless steel case, bimetallic operating mechanism sensor
- Silver clad contacts
- RTS-O: Normally Open
- RTS-C: Normally Closed
- Temperature setting: 40°F ±5°F, 5°C ±3°C
- UL and cUL listed for fire sprinkler supervisory service



# Tamper Switches



Valve shown for reference only.

## **RBVS** Retrofit Ball Valve Switch

- Monitors alarm line ball valves
- Perfect for backflow preventers 1" - 2"
- Mounts on standard & "T" style valves
- NEMA 4 rated enclosure for indoor and outdoor use
- Fits virtually any 1/2" - 2" ball valve
- Optional cover tamper switch
- US Patent 6,945,509
- Meets NFPA requirements 13, 2010, 18.17.1 and IBC/IFC 2009, 903.4
- Listings: UL, cUL, NYMEA, and FM Approved



## **TTS** Tank Temperature Switch

- NEMA 4 enclosure
- Operates at 40°F and 140°F
- Available for steel or wood tanks
- Listings: UL, FM, CSFM, and MEA



# Corrosion Testing



# Dry System Corrosion Solutions



## Bac-Pak

- Easy do-it-yourself test
- Tests for the three most common MIC causing bacteria
- Water in vial changes to color of lid, if bacteria present



## Water Test Kit

- Complete MIC analysis through water sample
- Kit comes with prepaid return envelope for analysis
- Complies with NFPA 13, requiring MIC testing of the water supply
- Detailed report of findings is issued within 2 weeks



## 5-Year Deposit/Sludge Test Kit

- Designed to conform to the requirements of NFPA 25 requiring testing for MIC if slime or tubercles are discovered during an internal inspection
- Kit comes with prepaid return envelope for analysis
- Detailed report of findings is issued within 2 weeks



## Potter Nitrogen Generators

- Slows oxygen corrosion
- Ultra low dew point
- Convenient, on demand generation of nitrogen
- Environmentally friendly
- Simple installation



## INS-PV

### IntelliPurge® Nitrogen Purge Valve

- Automatically purges corrosive oxygen from a fire sprinkler system.
- Built in nitrogen analyzer for continuous monitoring of N2 levels in the sprinkler system.
- Local display allows visual indication of nitrogen level and purge time.
- Unique IntelliDry purge mode for ice plug and freezer application.
- Used in conjunction with INS-RA remote annunciator for networking capability.
- Includes UL listed and FM approved float type vent for fire protection service (175 PSI service pressure rating) that automatically closes when water reaches the vent in the event of a system activation



## INS-RA

### IntelliPurge® Remote Annunciator for INS-PV

- Intuitive software allows easy control of up to 27 INS-PV Potter IntelliPurge® Nitrogen Purge Valves
- 4X40 LCD display with LED's for Power and Trouble conditions
- Displays INS-PV operational history
- Allows scheduled purging for multiple riser systems
- Key lock and passcode protected





# Wet System Corrosion Solutions



## PAAR-B

### Potter Automatic Air Release (Patented)

- Helps eliminate air/water interface line where corrosion often thrives
- Mechanical fail safe Water Shutoff Valve
- Electrically supervised Water Shutoff Valve
- Visual indication of Water Shutoff Valve operation
- Prevents damage from water spray, drips, or leaks from air vent
- Complete unit ready to install at high points in the sprinkler system
- UL listed and FM approved air vent for use on fire sprinkler branch lines
- Meet NFPA 13 Code requirement for air venting



## PAV

### Potter Air Vent

- Provides automatic venting of trapped air in fire sprinkler systems
- Limits oxygen corrosion when placed at the high point(s) of the systems
- UL listed and FM approved air vent for use on fire sprinkler branch lines
- Meet NFPA 13 Code requirement for air venting



## AquaN2 Kit

### Potter Air Vent

- Quickly removes oxygen from wet pipe systems, significantly reducing corrosion
- Ensures that all trapped gas pockets are 98%+ Nitrogen Gas
- Easy installation and maintenance
- Designed for fast Nitrogen fill, eliminating any necessary downtime of fire sprinkler system
- Includes both the Nitrogen Injection Manifold (NIM and Quick X-haust Manifold (QXM)



# Corrosion Monitoring



## PCMPK

### Probe Assembly with PS10-1

- Used in conjunction with any corrosion monitoring station or as a stand alone corrosion monitoring probe
- Pressure switch trips when corrosion affects probe
- Provides notification when coupons need replacement
- Patent pending
- Probe simulates 5 years of allowable pipe loss in schedule 10 pipe (FM Data Sheet 2-1)



## PCMS-RM

### Potter Corrosion Monitoring Station Riser Mount

- For wet or dry systems
- Installs on riser for easy access
- 3 outlets for coupons and probe
- Sight glass to view internal conditions
- Air inlet valve
- Includes one steel and one brass coupon
- Shown with optional PCMPK installed
- Patent pending
- Ships assembled
- 250 PSI rated
- Allows for inspections and samples without disabling sprinkler system



# Explosion Proof Devices



# Explosion Proof Devices



## PIVS-U-EX

### Explosion Proof Post Indicator Valve Switch

- Installs on post indicator valves and butterfly valves
- 1/2" mounting nipple
- Contact rating: 15 AMPS at 125 VAC, 1/2 AMP at 125 VDC
- -40° to 140°F
- UL listed enclosure NEMA 1, 7, 9



## PIVSU-EX-O

### Outdoor Explosion Proof Post Indicator Valve Switch

- Installs on post indicator valves and butterfly valves
- 1/2" mounting nipple
- Contact rating: 15 AMPS at 125 VAC, 1/2 AMP at 125 VDC
- -13°F to 185°F
- UL listed enclosure NEMA 1, 3, 4, 4X, 6, 6P, & 13 IP66 and 67



## OSYS-U-EX

### Explosion Proof OS & Y Switch - Universal

- Installs on OS & Y valves 1/2"-2"
- Contact rating: 15 Amps at 125 VAC, 1/2 Amp at 125 VDC
- -40° to 140°F
- UL listed enclosure NEMA 1, 7, 9



## OSYSU-EX-O

### Outdoor Explosion Proof OS & Y Switch

- Installs on OS & Y valves 1/2"-2"
- Contact rating: 15 Amps at 125 VAC, 1/2 Amp at 125 VDC
- -13°F to 140°F
- UL listed enclosure NEMA 1, 3, 4, 4X, 6, 6P, and 13 IP66 and 67
- Water tight, dust tight, and corrosion resistant for outdoor use



## PS10-EX and PS40-EX

### Explosion Proof Pressure Switches

- NEMA 4 and 9 solid metal enclosure
- 300 psi system rated pressure
- 1/2" NPT male brass fitting
- PS10-EX set for operation at:
  - Two switches operate on pressure increase at 6 psi
  - Two switches operate on pressure decrease at 5 psi
- PS40-EX set for operation at:
  - One switch operates on pressure decrease at 30 psi
  - Second switch operates on pressure increase at 50 psi
- 1-year warranty
- Listings: UL, cUL, CSFM, FM, NYMEA, and ATEX



## VSR-FEX

### Explosion Proof Vane Type Waterflow Switch

- NEMA 4 and 9 solid metal enclosure
- 0-90 second pneumatic retard
- 450 psi system pressure rated
- Non-corrosive saddle bushing
- Two 1/2" threaded connections for conduit
- Pipe schedules 10-40 sizes 2"-8"
- 1-year warranty
- Listings: UL, cUL, CSFM, ATEX, and FM



## FSEX-24 PMR

### Explosion Proof Strobe

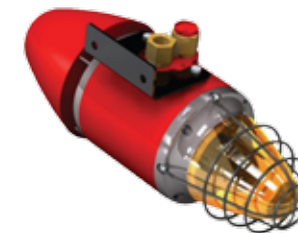
- 24 VDC
- Corrosion resistant housing
- Indoor or outdoor mounting
- Polarized
- Listings: UL, CSFM and MEA approved



## FHEX-24 SMR

### Explosion Proof Horn

- 24 VDC
- Heavy duty, copper free cast aluminum housing
- NEMA 4X, IP66 enclosure
- Listings: UL and cUL



## YL6

### Explosion Proof Horn/Strobe

- 24 VDC
- Low current draw
- Aluminum enclosure
- Flash rate of one per second
- 110 dB at one meter sounder
- Listings: UL and cUL



## RMS-6T-EXP-WP

### Explosion Proof Pull Station

- Marine & NEMA 4X rated
- Weather proof
- ADA compliant
- Allen Key reset
- DPDT switch
- Screw terminal connections
- Listings: UL, FM, CSFM, and NYMEA



# Releasing Panels



# Releasing Panels



## PFC-4410RC

### Water or Agent Extinguishing Panel

- 4 Class B programmable initiating zones and outputs
- Compatible with up to 10,000' of Linear Heat Detection per zone
- 2 dedicated Class B supervisory zones
- 32 character LCD display, 34 LED display
- 20 pre-configured programs
- On-board programming
- 40 event history buffer
- Single or double interlock
- Single or dual hazard
- Alarm, trouble, supervisory, and waterflow relays standard
- 1 abort circuit
- Listings: UL, ULC, FM, CSFM, and NYMEA



## PFC-6075R

### Addressable Releasing Panel

- Built in SLC capable of supporting 75 Potter/Nohmi protocol devices
- 5.0 Amp 24vdc Power Supply
- 2 NACs each rated at 3.0 Amps max
- 2 I/O Circuits each rated at 1.0 Amps max
- Listed for manual release abort or release circuit
- Support for all major synchronization patterns
- Built-in Ethernet port for programming and network connectivity
- Built-in email support for system status and event information
- P-Link RS-485 bus supports system accessories
- 1,000 event non-volatile history buffer
- Listed with pre-action, deluge, and agent systems
- UL listed, CSFM, NYC Fire Department Certificate of Approval



## RA-6075R

### LCD Annunciator

- Used with PFC-6075R
- 32 character LCD display
- Compact metal box with key lock
- Identical keypad to PFC-6075R
- Provides Release and Pre-Release LED's to indicate releasing status



## MAS

### Manual Pull/Abort Station Combination

- Perfect for agent suppression systems
- UL, cUL Listed, FM Approved
- No disassembly required
- Plate mounts to box with just 2 screws
- Backbox included
- Optional flush mount plate
- Standard with Red or Yellow agent release pull stations
- Available without pull station installed for use with RMS series stations



## Abort Switch

- One N.O. momentary contact
- 5 Amps @ 24 VDC (10 mA minimum)
- Indoor use only
- Listings: UL and cUL
- Available with blue button for Canada



## MRS

### Main/Reserve Switch

- For agent suppression systems when uninterrupted protection is required
- Complies with NFPA 12, 12A, 17, and 2001
- Provides visual indication of connection to Main or Reserve supply
- Key protected with key removable in either position



## RCDS-1

### Releasing Circuit Disable Switch

- One N.O. key operated switch
- 4 Amps @ 120/240 VAC 2.5 Amps @ 125 VAC
- 24 VDC 50 mA
- Indoor use only
- Creates supervisory condition on associated release panel
- Replaces software controlled disconnect
- Temperature range -22°F to 140°F (-30°C to 60°C)
- Complies with NFPA 72 requirements
- Listings: UL and cUL



## RA-4410RC

### Remote Annunciator

- Up to 4 annunciators can be connected to each PFC-4410RC
- Rotary switches on panel and annunciator to supervise
- Trouble/Supervisory buzzer
- Separate LED's for various alarms
- Lamp test/buzzer silence switch
- Listings: UL, cUL, CSFM, FM, and MEA



## ARM-44

### Relay Module

- Provides 8 Form C relay outputs
- Selectable latching or common setting
- Multiple operating modes
- Listings: UL, cUL, CSFM, FM, and MEA when used in conjunction with the PFC-4410RC



## Arm 1 & Arm 2

### Auxiliary Relay Modules

- 40mA at 24 VDC
- 10 amps resistive
- 120/240 VAC, 0-30 VDC
- 4 DPDT contacts (ARM-1)
- DPDT contacts (ARM-2)
- Listings: UL (PFC-4410RC), FM (PFC-4410RC)—ARM-2 only





# Notification Appliances



## Remote Mini-Horn

MH Series

- Terminal/4-wire models
- Sound output 97dB
- Single gang plate
- 12-24 VDC and 120 VAC
- 15 mA current draw
- Listings: UL and ULC



## Electronic Horn

EH 24 Series

- Red or white
- Chime, whoop, mechanical, or 2400HZ sound output
- Indoor/outdoor listed (with weatherproof back box)
- Pre-wire back plate
- Universal back plate mounting
- Listings: UL and CSFM
- Surface back box available



## Selectable Candela Strobe & Strobe/Horn

S-24 & HS-24

- 24 VDC with 15, 30, 60, 75, or 110 cd settings
- 5 candela settings per device
- Sound output settings including chime
- Candela selection view window
- Pre-wire back plate
- Low current draw
- Listings: UL, ADA and CSFM



# Notification Appliances



## Remote Mini-Horn

HP-25 Series

- Terminal/4-wire models
- Sound output 97dB
- Single gang plate
- 12-24 VDC
- 15 mA current draw
- Temporal and non-temporal patterns
- Listings: UL and ULC



## Ceiling Strobe & Strobe/Horn

CS & CHS

- Selectable 15, 30, 75, 95, 115, or 150 candela
- Low current draw
- 24 VDC input
- Pre-wire back plate
- High/low dB
- Designed for wall and ceiling mount
- Surface mount CLNG-BB
- Listings: UL, CSFM, MEA, ADA



## Outdoor Strobe & Strobe/Horn

SLP & HSLP

- 12 VDC with 15, 35, or 60 cd setting
- 24 VDC with 15, 35, 60, 75, 95, or 110 cd setting
- 6 candela settings per device with selection view window
- 33 sound output settings
- 15/75 ADA compliant on 60 cd setting
- Pre-wire back plate with universal back plate mounting
- Listings: UL and cUL



# Notification Appliances



## Weatherproof Select-A-Strobe/Horn® SH-120 Series

- 120 VAC operation
- Low current draw
- 6 sound output settings
- Indoor and outdoor use
- Includes BBX-5 backbox
- Listings: UL and CSFM



## SASH Series Select-A-Strobe/Horn®/Sign

- SASH-12/24 VDC
- SASH-120, 115 VAC
- 90dBA at 10 ft.
- Indoor and outdoor use
- Weatherproof backbox included with both models
- UL Listed Strobe/Horn



## Sync Module AVSM

- Operates with S-24, HS-24, CS, and CHS series
- Synchronize horn and strobe with the use of only two wires
- No limit to the number of modules that can be synchronized together
- Rated for 3 amps continuous current and 5 amps surge
- Synchronizes to 1Hz flash rate



## Bells PBA-AC & MBA-DC

- Red powder coating finish
- Sizes available: 6", 8", 10"
- Available voltage: 24 VAC, 120 VAC, 12 VDC, 24 VDC
- Service Use: fire alarm, general signal, burglar alarm
- Environment: -40° to 150°F, indoor or outdoor use (outdoor use requires weatherproof backbox BBK-1)
- 5-year warranty
- Listings: UL, ULC (MBA bells only), CSFM, and MEA



# Digital Communicators



## PFC-6006 Sprinkler Monitoring Panel

- Built-in IP and Dual line DACT communications
- 6 programmable initiating device circuits (1 class A and 5 class B)
- 2 wire smoke detector capability
- 0.5 amp NAC circuit, 0.5 amp Aux Power circuit
- Email capabilities for events and reminders
- Quadrasync support
- Listings: UL, cUL, and CSFM



## RA-6006 (Canada Only) LCD Annunciator

- 32 character LCD display
- Communicates using RS-485 connection
- Used on the PFC-6006 Sprinkler Monitoring Panel
- Up to 4 can be connected using Class B wiring



## RA-6075 LCD Annunciator

- 32 character LCD display
- Communicates using RS-485 connection
- Used on any PFC-6000 Panel
- Connect up to 31 to each P-Link Circuit



# Conventional Detectors



# Pull Stations



## PS-24

### Photoelectric Smoke Detector

- Low profile 1.8"
- 2 or 4 wire base
- Sounder & relay base available
- 2 built-in power alarm LEDs
- With or without magnetic test (MRI Rooms)
- Vandal resistant locking feature
- Test feature
- Base not included
- Listings: UL, ULC, CSFM and FM



## BPS Series

### Baseless Smoke Residential

- 12 or 24 VDC
- BPS-2, 2 wire baseless photo electric smoke
- BPS-4, 4 wire baseless photo electric smoke
- White or eggshell color
- With heat available
- Base not included
- Listings: UL, ULC, CSFM and FM



## PS-24H

### Photoelectric Smoke/Heat Detector

- 135°F self-restoring fixed temperature
- Low profile 1.8"
- Built-in power alarm LED
- Vandal resistant locking base
- Test feature
- Base not included
- Listings: UL, ULC, CSFM and FM



## Heat Detector

### CR-135W, CF-135W, CR-200W, CF-200W

- Available in 135°F and 200°F fixed temperature or with rate of rise
- Rate of rise responds to rise in temperature of approximately 15°F/min
- Other models available upon request
- Listings: UL, ULC, CSFM and FM



## Duct Detector

### DSD Series

- Photoelectric DSD-P
- Powered by 115 VAC, 24 VAC or 24 VDC
- (2) 10A Form C alarm contacts
- Wide variety of remote accessories
- WP-1 enclosure provides outdoor installations against rain, sleet, and snow
- Comes with sampling tubes
- Listings: UL and CSFM



## Sampling Tubes

- STS-2.5 duct sampling tube
- STS-5.0 duct sampling tube
- STS-10 duct sampling tube



## Fire Pull Station

### P32-1T Series\*

- Single or dual contact
- Terminal connections
- Allen Key reset
- Standard single gang mounting
- 10 Amp snap action switch
- Optional auxiliary relay contacts
- High gloss red enamel finish
- Glass breakrod
- Surface back boxes available
- Listings: UL, ULC, ADA, CSFM and FM

\*Canadian Model: P32-1TS



## Dual Action

### P32-1T-LP

- Single contact
- Allen Key reset
- Standard single gang mounting
- 10 Amp snap action switch
- Optional auxiliary relay contacts
- High gloss red enamel finish
- Glass breakrod
- Surface and weatherproof back boxes available
- Listings: UL, ULC, ADA, CSFM and FM



## Special Application

### Pull Stations

- Colors available: Black, blue, green, grey, orange, purple, red, white or yellow
- Single or dual action, single or double contact
- Terminal connectors
- Glass breakrod
- 10 Amp snap action switch
- Brass or chrome plating
- Custom labeling in any language
- Weatherproof and explosion proof models available
- Made in the U.S.A.
- Listings: UL, ULC, ADA, CSFM, FM and MEA



## Weatherproof

### RMS-1T-WP

- Single or dual action
- Optional key reset
- Weatherproof back box included
- 10 Amp snap action switch
- Optional auxiliary relay contacts
- High gloss red enamel finish
- Glass breakrod
- Single or double contact
- Listings: UL, ULC, ADA, CSFM and FM





# Product List



# Product List

## Flow Switches

Stock #	Model #	Description
1144402	VSR-2	Waterflow alarm switch for 2" pipe
1144425	VSR-2½	Waterflow alarm switch for 2 ½" pipe
1144403	VSR-3	Waterflow alarm switch for 3" pipe
1144435	VSR-3½	Waterflow alarm switch for 3 ½" pipe
1144404	VSR-4	Waterflow alarm switch for 4" pipe
1144405	VSR-5	Waterflow alarm switch for 5" pipe
1144406	VSR-6	Waterflow alarm switch for 6" pipe
1144408	VSR-8	Waterflow alarm switch for 8" pipe
1144410	VSR-10	Waterflow alarm switch for 10" pipe
1144440	VSR-S	Waterflow alarm switch for 1" thru 2" pipe
1144460	VSR-SG	Waterflow alarm switch with union for 1" thru 2" pipe
1144461	VSR-SG w/ TSK	Waterflow alarm switch with union and tamper switch for 1" thru 2" pipe
1144465	VSR-ST	Waterflow alarm switch with threaded union for 1" thru 2" pipe
1144466	VSR-ST w/ TSK	Waterflow alarm switch with threaded union and tamper switch for 1" thru 2" pipe
1144450	VSR-C-2	Waterflow alarm switch for 2" copper pipe
1144451	VSR-C-2½	Waterflow alarm switch for 2 ½" copper pipe
1144452	VSR-C-3	Waterflow alarm switch for 3" copper pipe
1144453	VSR-C-4	Waterflow alarm switch for 4" copper pipe
1029030		Replacement retard for waterflow alarm switch
1116002	VSR-FE2-2	Waterflow alarm switch with electronic retard 2" pipe
1116025	VSR-FE2-2½	Waterflow alarm switch with electronic retard 2½" pipe
1116003	VSR-FE2-3	Waterflow alarm switch with electronic retard 3" pipe
1116035	VSR-FE2-3½	Waterflow alarm switch with electronic retard 3½" pipe
1116004	VSR-FE2-4	Waterflow alarm switch with electronic retard 4" pipe
1116005	VSR-FE2-5	Waterflow alarm switch with electronic retard 5" pipe
1116006	VSR-FE2-6	Waterflow alarm switch with electronic retard 6" pipe
1116008	VSR-FE2-8	Waterflow alarm switch with electronic retard 8" pipe
1111100	VS-SP	Special application waterflow switch without retard
1116051	VSG-2½	Waterflow alarm switch for low flow 2 ½" (73 mm) pipe
1116052	VSG-2½	Waterflow alarm switch for low flow 2 ½" (76.1 mm) pipe
1010080	WFSR-F	Pressure activated waterflow alarm switch with retard
1119067	RD13-1	Residential riser without check valve for 1" pipe
1119077	RD13-1.25	Residential riser without check valve for 1 ¼" pipe
1119087	RD13-1.50	Residential riser without check valve for 1 ½" pipe
1119097	RD13-2	Residential riser without check valve for 2" pipe

## Pressure Switches & Peripherals

Stock #	Model #	Description
1340103	PS10-1	Pressure type waterflow alarm and supervisory switch one contact
1340104	PS10-2	Pressure type waterflow alarm and supervisory switch two contacts
1340415	PS15-2	High/low pressure switch two contacts
1340403	PS40-1	High/low pressure switch one contact
1340404	PS40-2	High/low pressure switch two contacts
1119100	PS40-TM	Completely pre-assembled low pressure test module
1119101	PS15-TM	Completely pre-assembled low pressure test module
1341005	PS100-2	Pressure type waterflow alarm and supervisory switch two contacts
1341203	PS120-1	High/low pressure switch one contact
1341204	PS120-2	High/low pressure switch two contacts
1000018	BVL	Lever type bleeder valve
1370080	PCS	Pump control switch
1370010	ADPS-300-1B	Adjustable deadband pressure switch w/ brass connection
1370020	ADPS-300-1S	Adjustable deadband pressure switch w/ stainless steel connection
1370030	ADPS-300-2S	Adjustable deadband pressure switch w/ stainless steel connection
1370040	ADPS-600-1B	Adjustable deadband pressure switch w/ brass connection
1370050	ADPS-600-1S	Adjustable deadband pressure switch w/ stainless steel connection
1370060	ADPS-600-2S	Adjustable deadband pressure switch w/ stainless steel connection

## Tamper & Supervisory Switches

Stock #	Model #	Description
1010201	PTS-C	Plug type supervisory switch
1010117	WLS	Tank water level switch
1010108	RTS-O	Room temperature switch normally open
1010109	RTS-C	Room temperature switch normally closed
1010040	TTS-S	Tank temperature switch for steel tank
1010041	TTS-W	Tank temperature switch for wood tank
1010102	OSYSU-1	Outside screw & yoke valve supervisory switch one contact
1010202	OSYSU-2	Outside screw & yoke valve supervisory switch two contacts
1010210	OSYSU-2 CRH	Outside screw & yoke valve supervisory switch two contacts with Corrosion Resistant Hardware
1010203	PCVS-2	Control valve supervisory switch two contacts
1010211	PCVS-2 CRH	Control valve supervisory switch two contacts with Corrosion Resistant Hardware
1000040	RBVS	Retrofit ball valve switch
1000035	RBVS-T	Retrofit ball valve switch with tamper switch

## Corrosion Solutions

Stock #	Model #	Description
1119172	BAC-PAK	Do-it-yourself test kit for most common water bacteria
1119178	WTK	Water test kit
1119174	Sludge Kit	5 year deposit sludge test kit
1119546	PCMS-RM	Corrosion monitoring station riser mount
0090180	PCMPK-1	Corrosion monitoring probe kit riser mount & dry pipe models
0090181	PCMPK-2	Corrosion monitoring probe kit older style ceiling mount models
1030001	PAAR-B	Automatic air release
1119720	PAV	Air vent

## Nitrogen Generators

Call for ordering information

## Explosion Proof Devices

Stock #	Model #	Description
1010122	PWSU-EX	Explosion proof post indicator valve switch
1010120	OSYSU-EX	Explosion proof OS & Y switch
1010121	OSYSU-EX-O	Outdoor Explosion proof OS & Y switch
1350102	PS10-EX	Explosion proof pressure switch 4-20 PSI
1350402	PS40-EX	Explosion proof pressure switch 10-175 PSI
1113202	VSRF-EX-2	Explosion proof vane type waterflow switch 2"
1113225	VSRF-EX-2 ½	Explosion proof vane type waterflow switch 2 ½"
1113203	VSRF-EX-3	Explosion proof vane type waterflow switch 3"
1113235	VSRF-EX-3 ½	Explosion proof vane type waterflow switch 3 ½"
1113204	VSRF-EX-4	Explosion proof vane type waterflow switch 4"
1113205	VSRF-EX-5	Explosion proof vane type waterflow switch 5"
1113206	VSRF-EX-6	Explosion proof vane type waterflow switch 6"
1113208	VSRF-EX-8	Explosion proof vane type waterflow switch 8"
1430501	FSEX-24PMR	Explosion proof strobe
1430500	FHEX-24SMR	Explosion proof horn
1430510	YL6	Explosion proof horn/strobe
1000400	RMS-6T-EXP-WP	Explosion & weather proof pull station

## Releasing Panel

Stock #	Model #	Description
3006142	PFC-4410RC	Water or agent extinguishing panel
3006461	PFC-6075R	75 Point Addressable Releasing Panel
3006462	RA-6075R	LCD Remote Releasing Annunciator
3001000	Abort Switch	Abort Switch
3001002	RCDS-1	Releasing Circuit Disable Switch

3004726	ARM-1	Auxiliary Relay Module
3004725	ARM-2	Auxiliary Relay Module
3006221	ARM-44	8 From C Relay Board f/PFC-4410RC
3006400	RA-4410RC	Remote Annunciator
5130080	BT6-4	Battery 6V, 4AH
5130092	BT-40	Battery 12V, 4AH
5130084	BT-80	Battery 12V, 8AH
5130090	BT-120	Battery 12V, 12AH
5130086	BT-180	Battery 12V, 18AH
5130097	BT-260	Battery 12V, 26AH

## Notification Appliances

Stock #	Model #	Description
4560041	MH-12/24R	Remote mini horn 12/24V red
4560042	MH-12/24W	Remote mini horn 12/24V white
4560043	MH-12/24TR	Remote mini-horn terminal 12/24V red
4560044	MH-12/24TW	Remote mini-horn terminal 12/24V white
1610224	MH-120R	Remote mini-horn 120V red
1610225	MH-120W	Remote mini-horn 120V white
4550014	HP-25TR	Remote mini-horn terminal 12/24V red
4550015	HP-25TW	Remote mini-horn terminal 12/24V white
4890005	EH-24R	Horn Red
4890006	EH-24W	Horn White
4890007	EH-24PR	Horn Plain Red
4890008	EH-24PW	Horn Plain White
4890010	S-24WR	Wall selectable strobe Red
4890011	S-24WW	Wall selectable strobe White
4890012	S-24PWR	Wall selectable strobe Plain Red
4890013	S-24PWW	Wall selectable strobe Plain White
4890030	HS-24WR	Wall selectable Horn/Strobe Red
4890031	HS-24WW	Wall selectable Horn/Strobe White
4890032	HS-24PWR	Wall selectable Horn/Strobe Plain Red
4890033	HS-24PWW	Wall selectable Horn/Strobe Plain White
4890020	CS-24R	Ceiling selectable strobe Red
4890021	CS-24W	Ceiling selectable strobe White
4890022	CS-24PR	Ceiling selectable strobe Plain Red
4890023	CS-24PW	Ceiling selectable strobe Plain White
4890040	CHS-24R	Ceiling selectable Horn/Strobe Red
4890041	CHS-24W	Ceiling selectable Horn/Strobe White
4890042	CHS-24PR	Ceiling selectable Horn/Strobe Plain Red
4890043	CHS-24PW	Ceiling selectable Horn/Strobe Plain White
4890054	SLP-24WR-WP	Strobe Red low profile weather proof
4890055	SLP-24WW-WP	Strobe White low profile weather proof



# Product List

4890056	SLP-24PWR-WP	Strobe Plain Red low profile weather proof
4890057	SLP-24PWW-WP	Strobe Plain White low profile weather proof
4890064	HSLP-24WR-WP	Horn/Strobe Red low profile weather proof
4890065	HSLP-24WW-WP	Horn/Strobe White low profile weather proof
4890066	HSLP-24PWR-WP	Horn/Strobe Plain Red low profile weather proof
4890067	HSLP-24PWW-WP	Horn/Strobe Plain White low profile weather proof
1000755	SASH-24	Select-A-Strobe/Horn®/Sign 12/24V
1000760	SASH-120	Select-A-Strobe/Horn®/Sign 120V
1750070	MBA-126	Bell 6" 12VDC red
1750080	MBA-128	Bell 8" 12VDC red
1750060	MBA-1210	Bell 10" 12VDC red
1750100	MBA-246	Bell 6" 24VDC red
1750110	MBA-248	Bell 8" 24VDC red
1750090	MBA-2410	Bell 10" 24VDC red
1806024	PBA-246	Bell 6" 24VAC red
1808024	PBA-248	Bell 8" 24VAC red
1810024	PBA-2410	Bell 10" 24VAC red
1806120	PBA-1206	Bell 6" 120VAC red
1808120	PBA-1208	Bell 8" 120VAC red
1810120	PBA-12010	Bell 10" 120VAC red
4890250	AVSM-R	Sync module Red
4890251	AVSM-W	Sync module White

## Digital Communicators

Stock #	Model #	Description
3003011	PFC-6006	Sprinkler monitoring panel
3006448	RA-6006	Remote Annunciator for PFC-6006 (Canada)
3006458	RA-6075	LCD annunciator

## Conventional Smoke & Heat Detectors

Stock #	Model #	Description
1430011	PS-24	Photoelectric smoke detector
1430006	BPS-2	Baseless smoke detector residential 2 wire eggshell
1430026	BPS-2W	Baseless smoke detector residential 2 wire white
1430007	BPS-4	Baseless smoke detector residential 4 wire eggshell
1430029	BPS-4W	Baseless smoke detector residential 4 wire white
1430012	PS-24H	Photoelectric smoke/heat detector
1000140	CR-135W	Heat detector 135° rate-of-rise
1000142	CF-135W	Heat detector 135° fixed temperature

1000141	CR-200W	Heat detector 200° fixed temperature/rate-of-rise
1000143	CF-200W	Heat detector 200° fixed temperature
1430009	DSD-P	Photoelectric duct detector
1000266	STS-2.5	Duct sampling tube 2 ½ ft.
1000468	STS-5.0	Duct sampling tube 5 ft.
1000263	STS-10	Duct sampling tube 10 ft.

## Pull Stations

Stock #	Model #	Description
1000447	P32-1T	Pull station single action
1000476	P32-1T-LP	Pull station dual action
1000401	RMS-1T-WP	Pull station weather proof

*Residential waterflow switch applications:*



SASH-24/120V

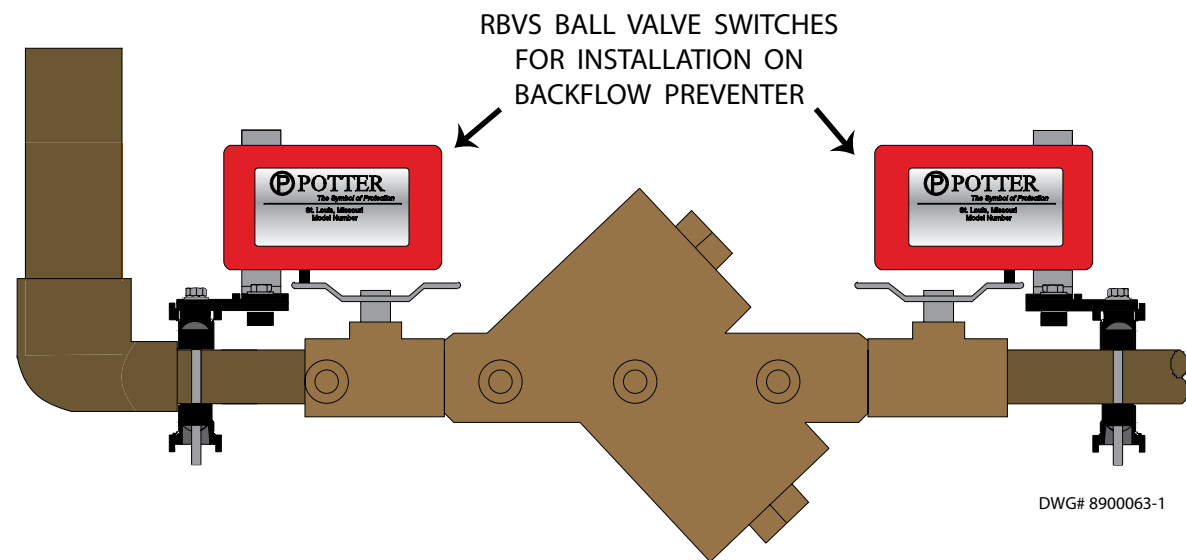
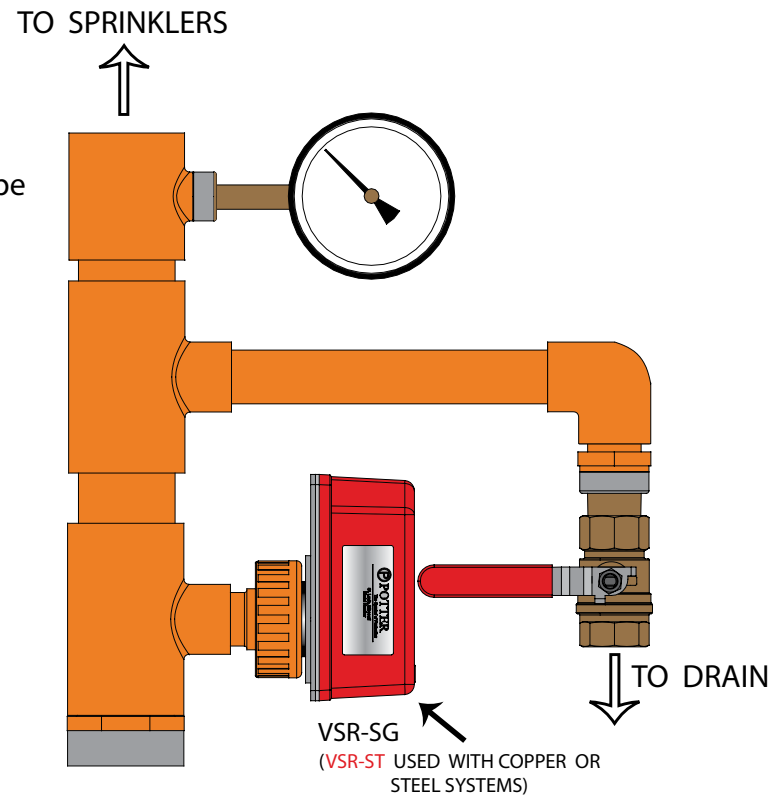


PBA-AC SERIES  
MBA-DC SERIES



SH-1224 SERIES

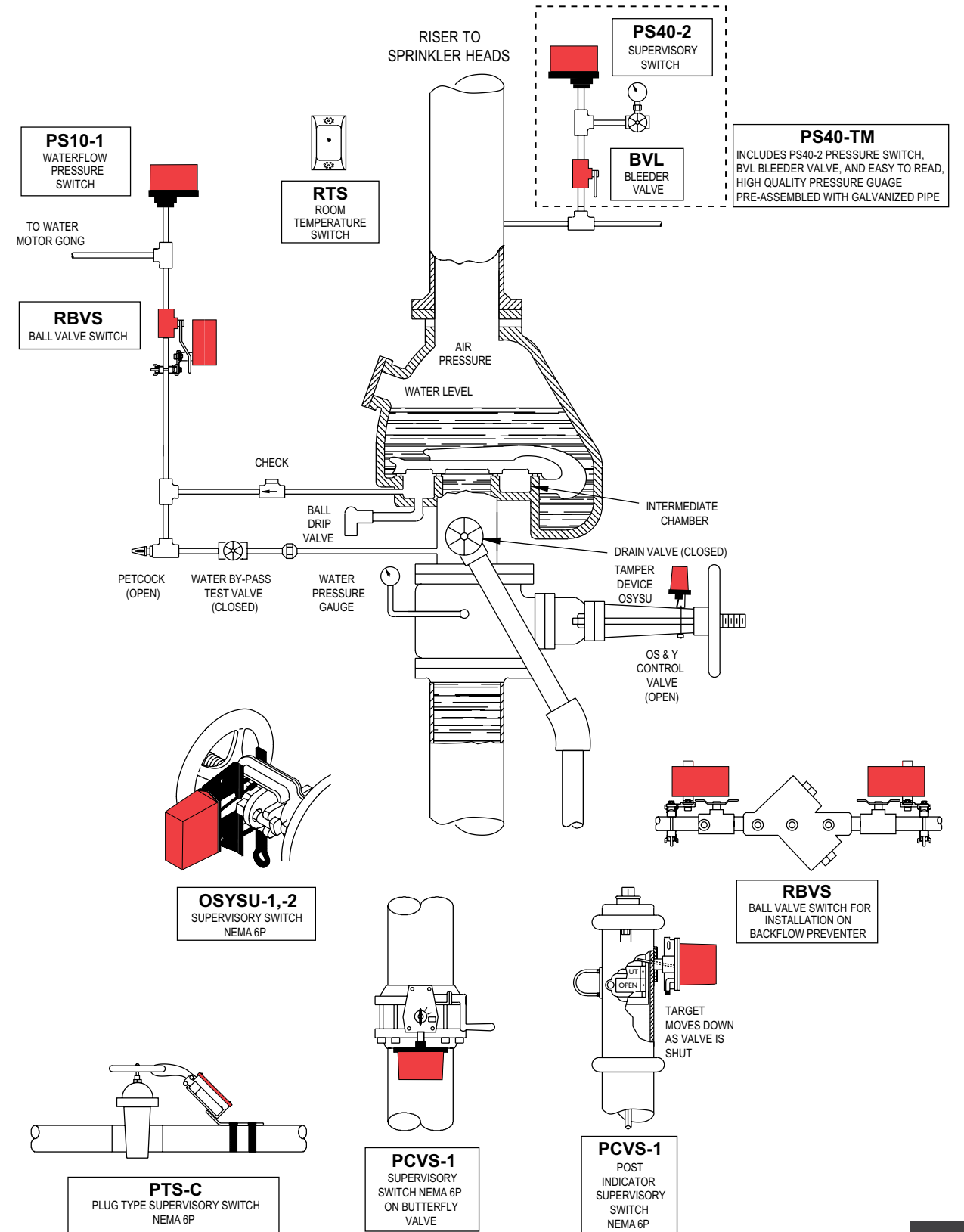
**RD13 Riser**  
Listed CPVC pipe  
and fittings  
1" to 2" sizes



RBVS BALL VALVE SWITCHES  
FOR INSTALLATION ON  
BACKFLOW PREVENTER

DWG# 8900063-1

*Dry pipe valve system waterflow alarm installation:*



**PS40-TM**  
INCLUDES PS40-2 PRESSURE SWITCH,  
BVL BLEEDER VALVE, AND EASY TO READ,  
HIGH QUALITY PRESSURE GAUGE  
PRE-ASSEMBLED WITH GALVANIZED PIPE

**OSYSU-1,-2**  
SUPERVISORY SWITCH  
NEMA 6P

**RBVS**  
BALL VALVE SWITCH FOR  
INSTALLATION ON  
BACKFLOW PREVENTER

**PTS-C**  
PLUG TYPE SUPERVISORY SWITCH  
NEMA 6P

**PCVS-1**  
SUPERVISORY  
SWITCH NEMA 6P  
ON BUTTERFLY  
VALVE

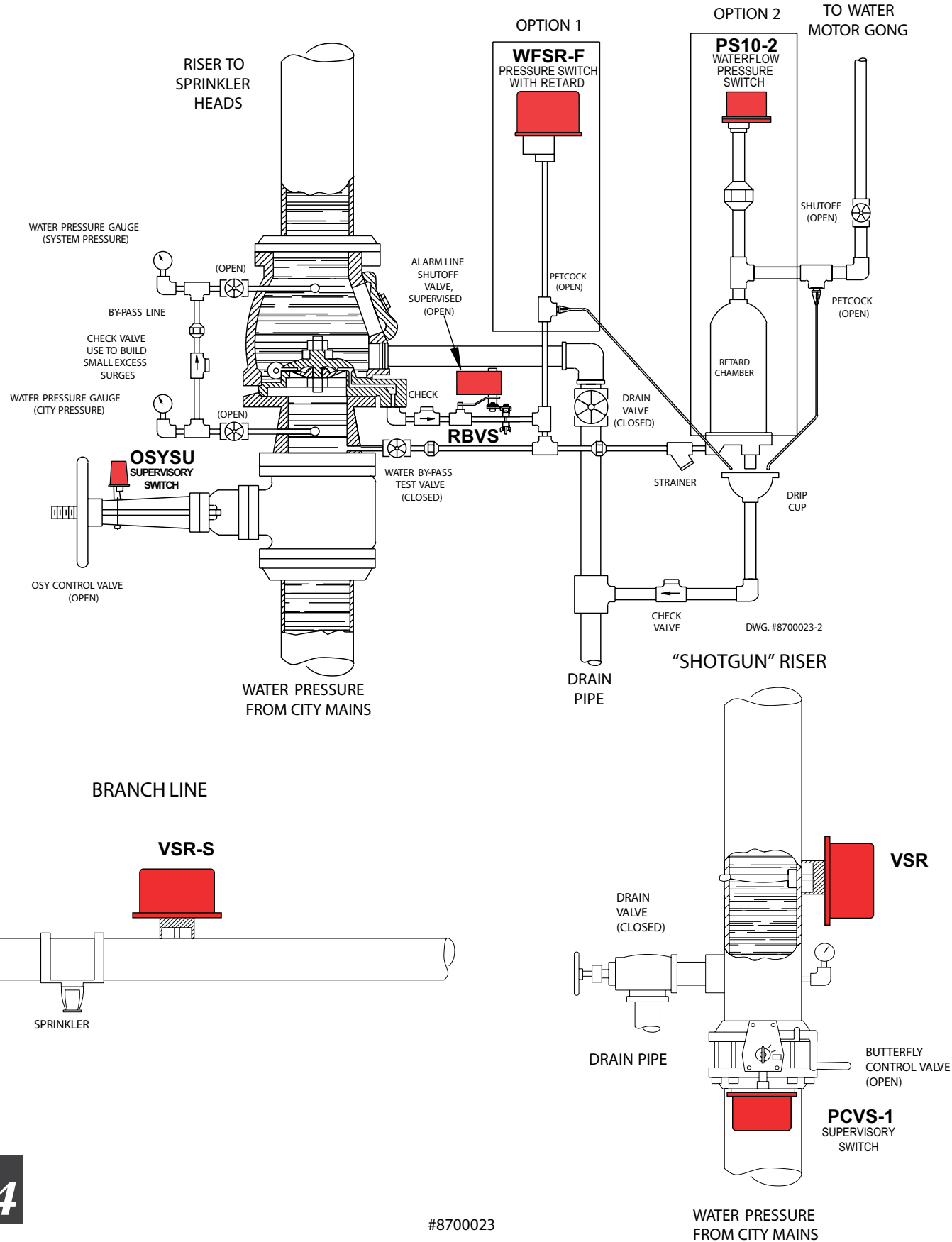
**PCVS-1**  
POST  
INDICATOR  
SUPERVISORY  
SWITCH  
NEMA 6P

#8700021

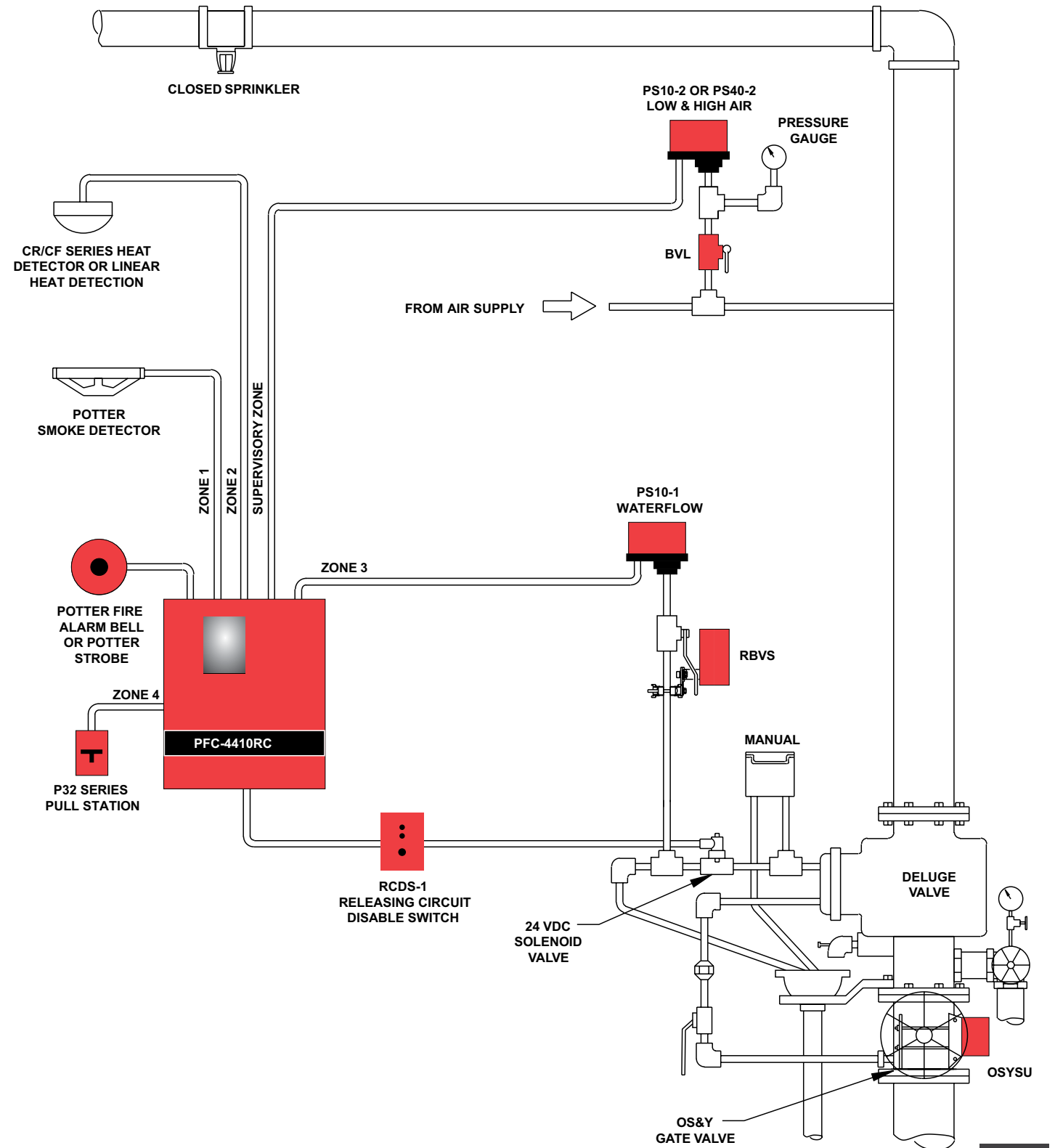


**Wet pipe sprinkler systems:**

**ALARM CHECK VALVE**



**Pre-action deluge system  
Single zone/electric cross zone:**





At Potter Electric Signal Company, LLC,

*QUALITY* is the first order of business. Since 1898, we have served the Fire Sprinkler industry on a world-wide basis. Today, we manufacture a full line of Sprinkler Monitoring Devices and Corrosion Solutions with unmatched quality and dependability.

We strive to provide you with the finest products and technical support in the industry. You will also receive prompt service from a dedicated team of professionals. After all, you, the customer, are the most important member of that team.

So give us a call.



Potter Electric Signal Company, LLC

1609 Park 370 Place

St. Louis, MO 63042

P: 866-572-3005

F: 314-595-6999

[www.pottersignal.com/sprinkler](http://www.pottersignal.com/sprinkler)