

BSPT Type

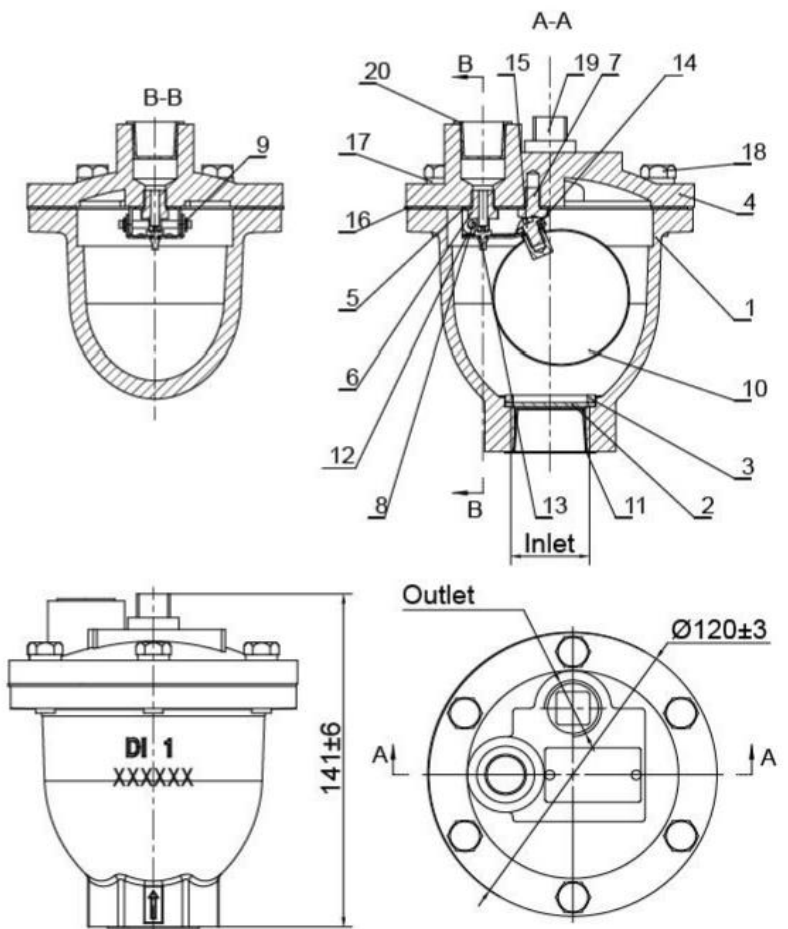
Technical Features

- Designed, manufactured: accordance with UL 2573/FM1344.
 - Test Standard:UL 2573/FM1344.
 - Temperature: 0 to 100°C
 - Normal size: 1"
 - Normal Pressure:175PSI
 - Test Pressure: Leakage Test 7PSI/263PSI, Strength Test 350PSI
 - Use in wet pipe sprinkler systems, or with horizontal split case pumps.
 - The inlets of the valves are 1-11 1/2NPT or R_c 1, the outlets of the valves are 1/2-14NPT or R_c 1/2.
- Advantages: This valve can ensure the excellent leak tightness and good venting capabilities under the rated working pressure.



Valve Material List

S./N.	Description of Parts	Materials
1	Valve Body	Ductile Iron
2	Filter Screen	SS316
3	Gasket Ring	Carbon Steel
4	Bonnet	Ductile Iron
5	Yoke	SS316
6	Valve Seat	SS316
7	Bolt	SS316
8	Valve Shaft	SS316
9	E Type Retainer Ring	SS304
10	Ball	SS316
11	Big Protective Cover	Plastic
12	Lever	SS316
13	Poppet	EPDM
14	Spring Washer	SS316
15	Hex Socket Head Bolt	SS304
16	Asbestos-free Gasket	CN-705
17	Spring Washer	Carbon Steel
18	Bolt	Carbon Steel
19	Plug	Ductile Iron
20	Small Protective Cover	Plastic



Connections for Installation

- The inlet connections shall be made using the external threads of tapered pipe thread 1-11 1/2NP conforming to the standard ASME B 1.20.1-2013, and the outlet connections shall be made using the external threads of tapered pipe thread 1/2-14NPT conforming to the standard ASME B 1.20.1-2013.
- The inlet connections shall be made using the external threads of tapered pipe thread R21 conform to the standard ISO 7-1-1994, and the outlet connections shall be made using the external threads of tapered pipe thread R2 1/2 conforming to the standard ISO 7-1-1994.