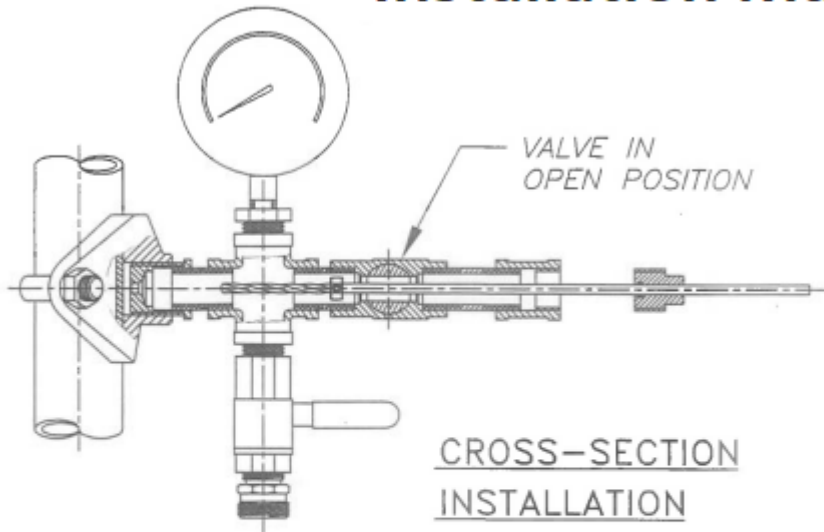
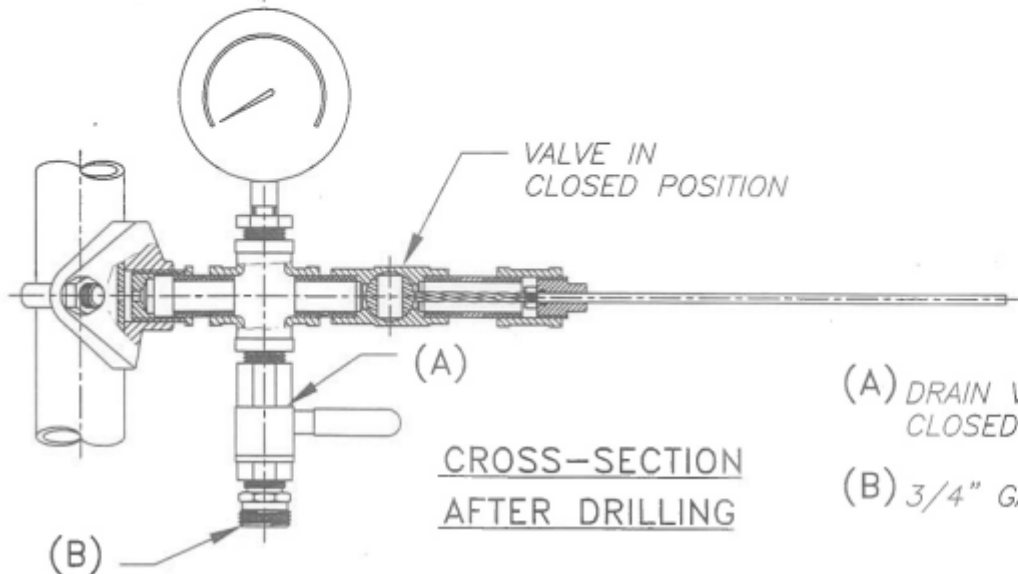
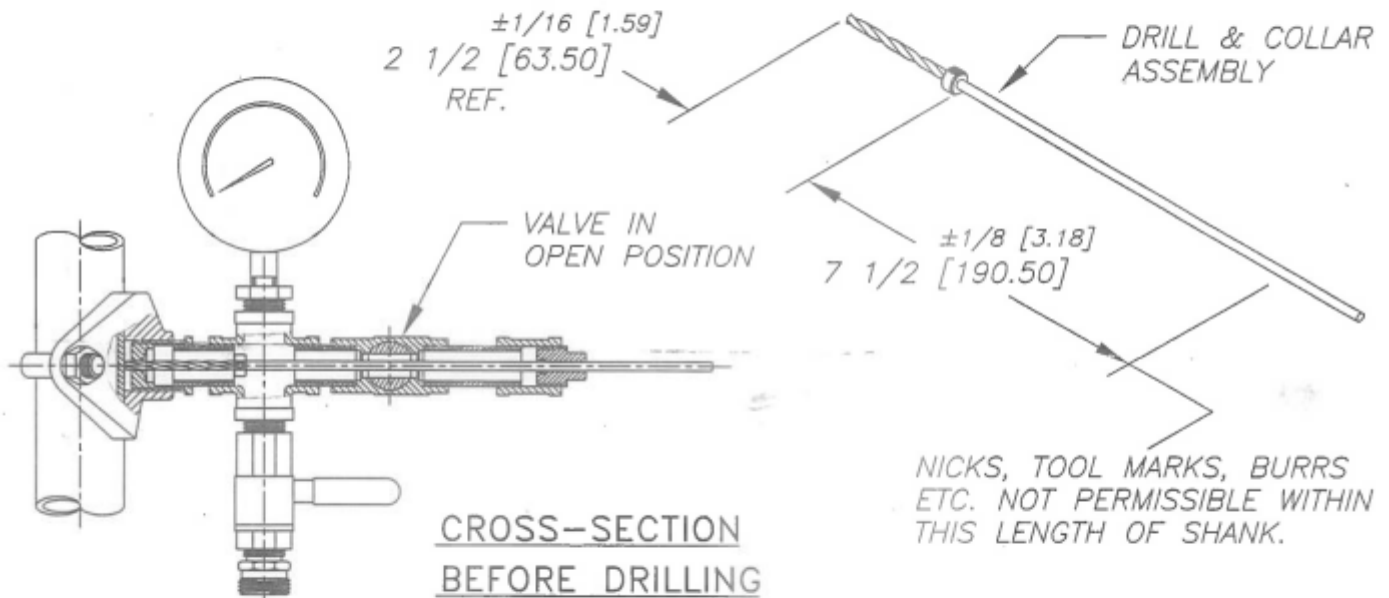


## Installation Manual



ASSEMBLY SHEET  
SURE-OFF TESTER  
(P/N 6501220000)  
US PATENT No.  
6,520,022 B1



(A) DRAIN VALVE IN CLOSED POSITION, NORMALLY.

(B) 3/4" GARDEN HOSE THREAD.