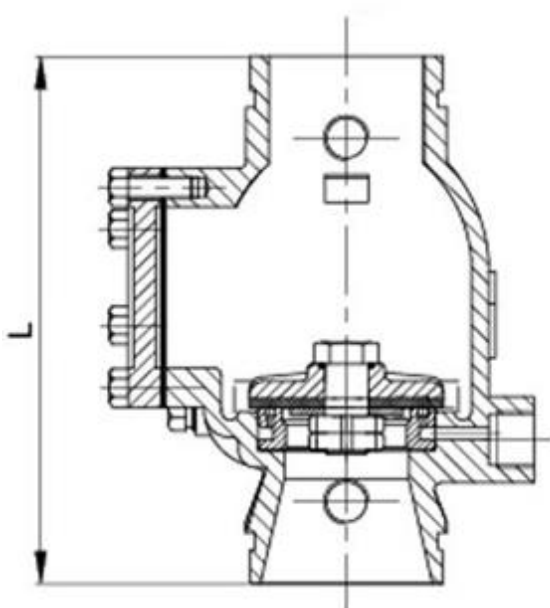


**ALM -065-200**

**65mm to 200mm Roll Groove Alarm Valve**



- Working Pressure: 300PSI**
- Groove Standard: AWWA C606/ISO 6182-12**
- Working Temperature: 4c to 70c**
- Indoor or Outdoor installation**
- Electrostatic spraying both inside & outside of Valve body**



Size	L(mm)	L(inch)
DN65(2.5in)	245	9.65
DN80(3in)	245	9.65
DN100(4in)	316	12.44
DN125(5in)	386	15.20
DN150(6in)	390	15.35
DN200(8in)	438	17.24

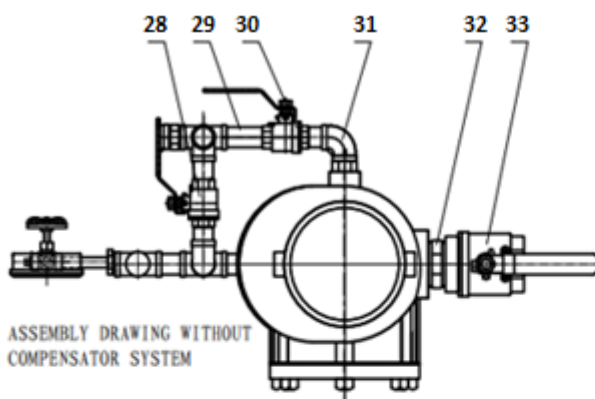
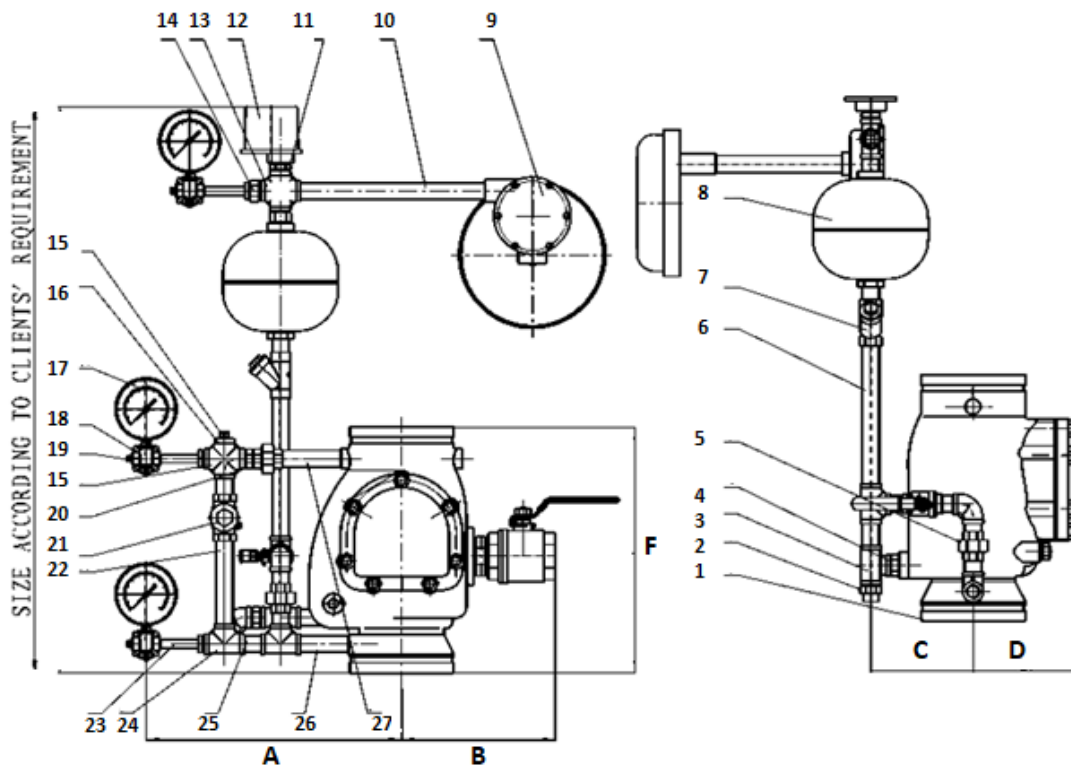
## Example use of Alarm valve in an Alarm System

Installation Height of the Gong according to requirement.

Gong can be installed indoors or outdoors through a wall or per requirements.

External dimensions for reference only.

Assembly Drawing is without Compensator system.



SIZE INCH	2"	2.5"	3"	4"	5"	6"	8"	10"	12"
a	340	340	340	342	349	349	415	475	495
b	205	205	205	250	274	274	290	340	368
c	145	145	145	160	180	180	205	240	270
d	110	110	110	136	162	162	195	235	270
f	233	237	245	316	386	390	438	535	622

No.	Material list	No.	Material list	No.	Material list
1	ALARM VALVE	12	PRESSURE SWITCH	23	NIPPLE
2	ORIFICE, RETARD	13	CROSS	24	TEE
3	TEE	14	REDUCER BUSHING	25	NIPPLE
4	NIPPLE	15	PLUG	26	NIPPLE
5	UNION	16	CROSS	27	NIPPLE
6	NIPPLE	17	PRESSURE GAUGE	28	BALL VALVE
7	Y STRAINER	18	3-WAY VALVE GAUGE	29	NIPPLE
8	RETARD CHAMBER	19	PLUG	30	BALL VALVE
9	GONG ASSEMBLY	20	ORIFICE, RETARD	31	ELBOW
10	NIPPLE	21	CHECK VALVE	32	NIPPLE
11	REDUCER	22	NIPPLE	33	BALL VALVE