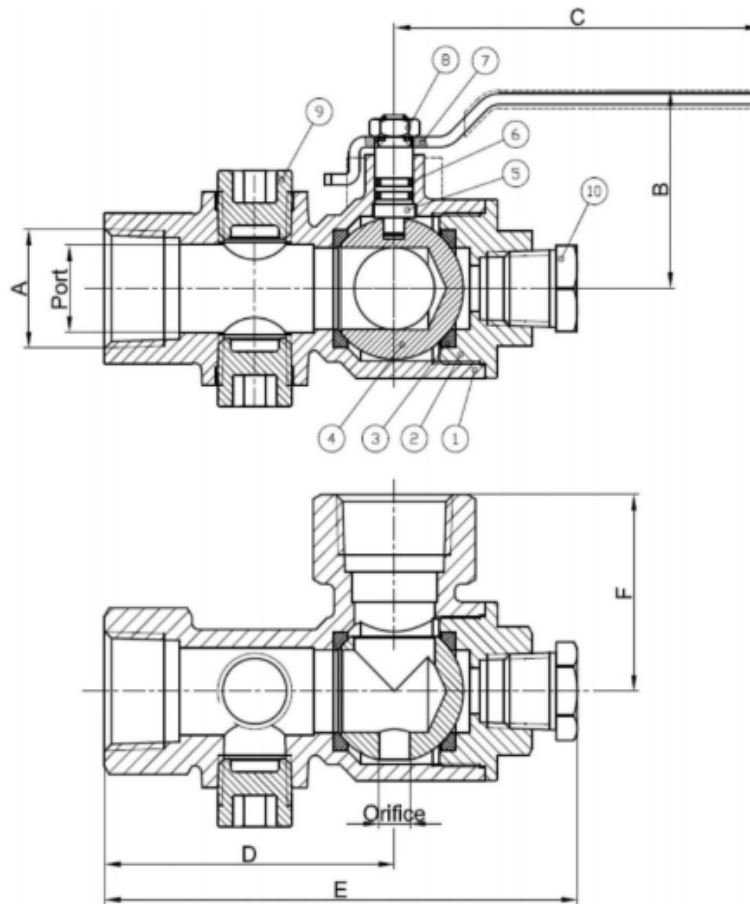


# TEST & Drain valve



A	Size mm	port	b	c	d	e	f
WTV-025	25mm	0.906"	2.2"	4.13"	3.27"	5.3"	2.165"
WTV-003	50mm	1.85"	3.33"	6.02"	3.78"	6.5"	2.835"

NO.	part	material
1	Body	C37700
2	Body Cap	C37700
3	Seat	PTFE
4	Ball	C37700
5	Stem	C37700

NO.	part	material
6	O-Ring	NBR
7	Lever	Carbon Steel
8	Nut	Carbon Steel
9	Sight Glass	Lexan
10	Cap Plug	C37700