

# QRT Hydrant "QLD"

HYD-QRT

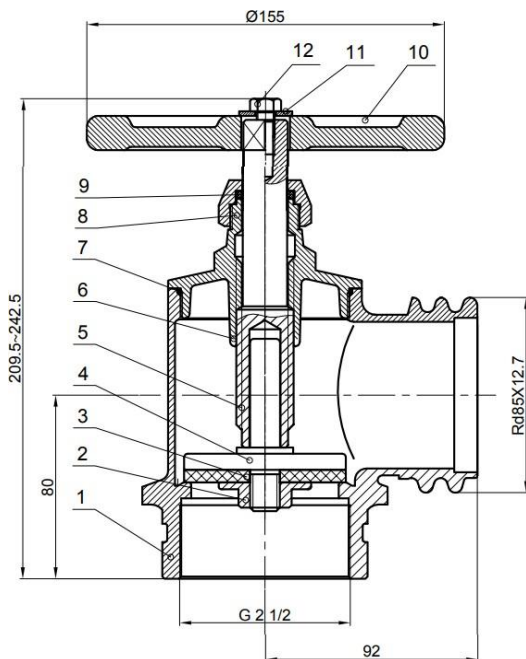
QRT Hydrants "QLD" Thread

**80mm Roll Groove with 65mm BSP Female thread connection  
With QRT "QLD" Inlet**

Test Work Pressure :1400KPa  
Standards Mark Certificate No.:

SMK 21817

Temperature Rating :-10°C~85°C



No.	Description	Material
1	Body	C83600
2	Nut	CuZn35Pb2As
3	Seal Ring	NBR (A70°+10 )
4	Spool	CuZn36Pb2As
5	Stem	CuZn36Pb2As
6	Bonnet	C83600
7	O-Ring	NBR-A70°
8	O-Ring	NBR-A70°
9	Gland Nut	C37700
10	Handle	QT400-18
11	Gasket	SS304
12	Screw	SS304