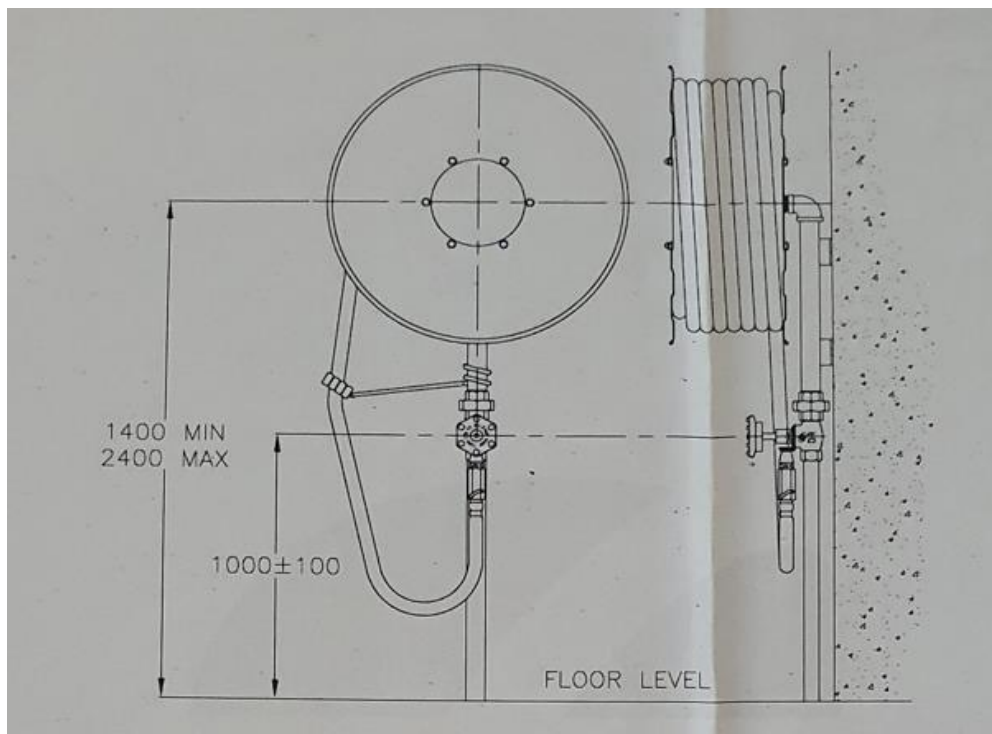


# Fire Hose Reel Installation Instruction

In accordance with AS2441



## Step 1

To install hose reel on concrete or solid brick material use 4 only 4913047 BL set anchor 10 X 75mm.

To install hose reels on timber construction use 4 only 3203189 coach screw 10X75mm galvanized.

Centre line of bracket should be 1.4m-2.4m above floor level.

## Step 2

Fit hose reel into wall bracket. Fit hose roller guide to 25mm inlet pipe, and fit union half to inlet pipe.

a) Where the hose guide is fitted to the hose reel supply pipe, it shall be located in a manner that will prohibit the guide moving vertically.

b) Where a hose reel is fixed in a cabinet or recess, the hose guide shall protrude beyond the recess when the hose is run out.

## Step 3

Fit valve/union assembly to incoming water supply line and assemble union with rubber sealing ring.

## Step 4

The hose and nozzle must feed through the roller guide and be secured to the nozzle bracket at the stop valve.

## Step 5

**Carry out installation, pressure test and commissioning in accordance with AS2441**

This hose complies with the appropriate discharge requirement:

Nominal hose diameter: 19mm

Minimum discharge rate of 0.45L/S at 220 +/-10kPa

**FIRE HOSE REELS MUST BE MAINTAINED IN ACCORDANCE WITH AS1851**

**This hose reel is manufactured to AS/NZS1221 and is fully serviceable.**

**Tested & Ucsenced to AS/NZS 1221-SMKH21422**