

LUGGED BUTTERFLY VALVE

TYPE B MONITORING GEAR OPERATED

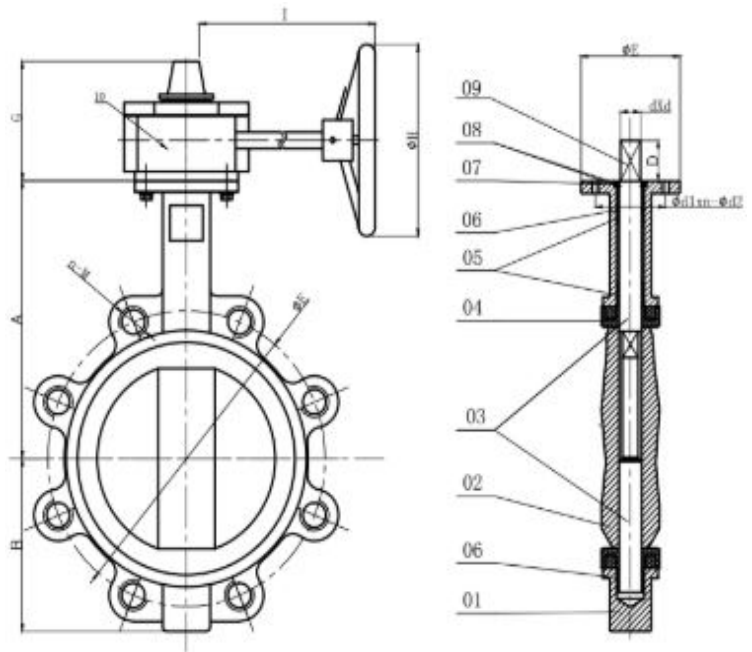
LUG -001

LUGGED BUTTERFLY VALVE - 232 PSI / PN16



Part	Material
1 Body	GGG40
2 Disc	CF8M
3 Shaft	SS316
4 Seat	EPDM
5 Axle Sleeve	PTFE
6 O Type Ring	NBR
7 Gasket	HB62
8 Circlip	65MN
9 Key	45#

Valve Size	face to face
80mm	48mm
100mm	53mm
150mm	58mm
200mm	63mm



PRODUCT CODE	SIZE	DIMENSIONS				
		A	B	C	D	F
LUG-001-080	3"	181	104	45	32	90
LUG-001-100	4"	183	107	52	32	90
LUG-001-150	6"	219	144	56	32	90
LUG-001-200	8"	260	186	60	32	125