

25mm Pump Relief Valve

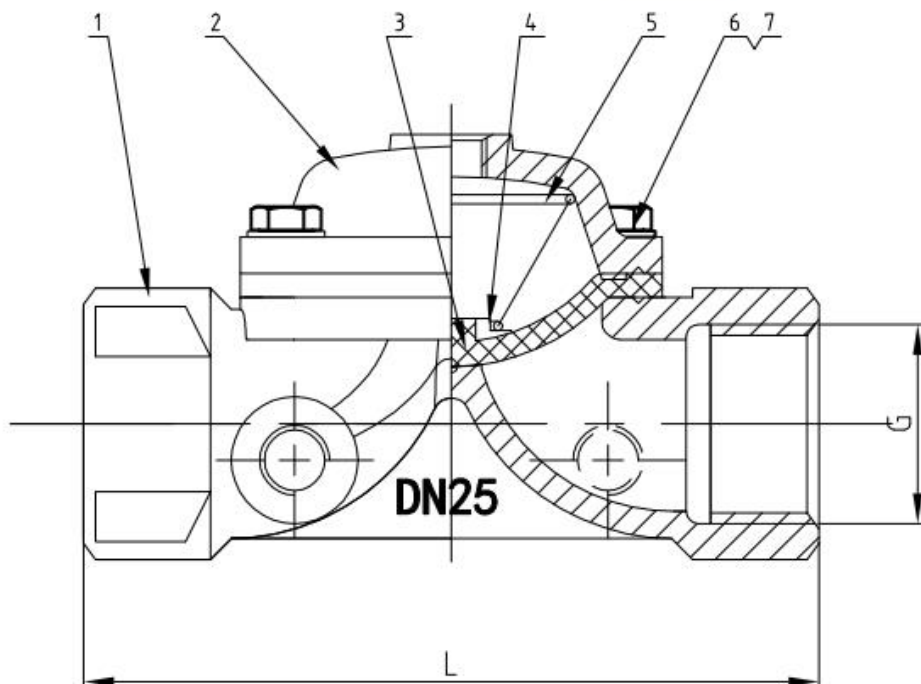
Pump Circulation Relief valve

Code: BVT-025

Working Pressure PN21

Size: 25mm

Size	L	G
DN25	122	G 1"



No.	Part Name	QTY.	Material
1	Body	1	Ductile Iron,A536 65-45-12
2	Bonnet	1	Ductile Iron,A536 65-45-12
3	Diaphragm	1	Rubber
4	Fixed block	1	PA6
5	Spring	1	SS304
6	Bolts	4	SS304
7	Washers	4	SS304